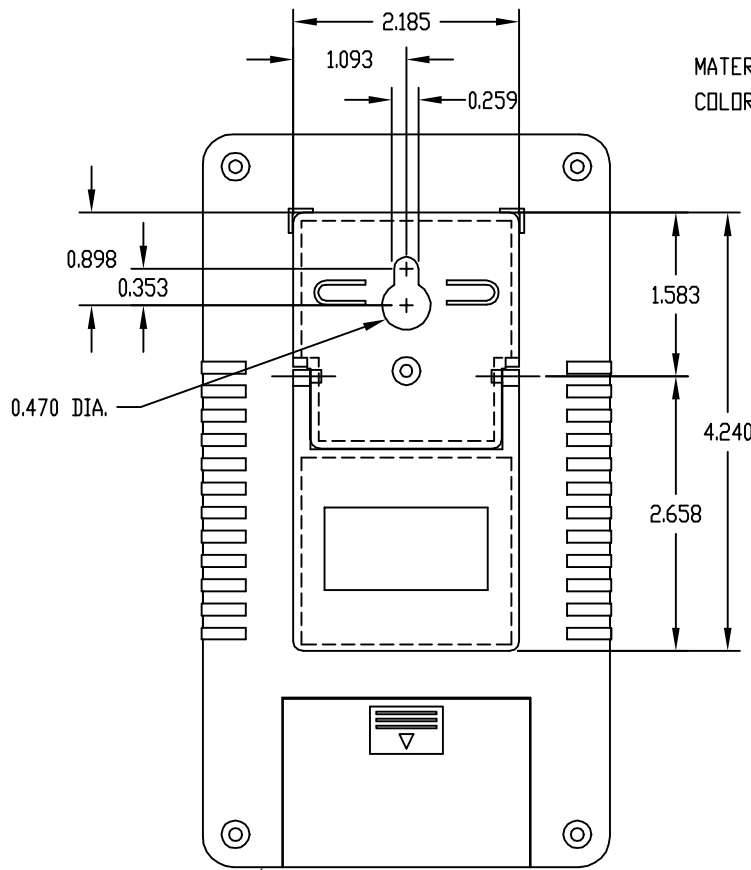


PART
NAME

TILT STAND

PART
No.

HH-3440-TS



MATERIAL: HIGH-IMPACT ABS (RATED UL94-V0)
COLOR: LIGHT GRAY

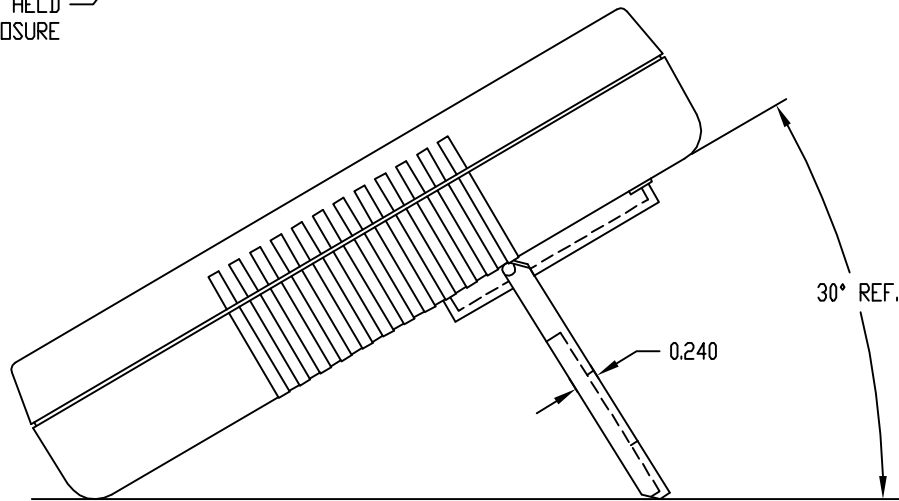
ALL DIMENSIONS HAVE ± 0.015 TOLERANCE
UNLESS OTHERWISE SPECIFIED

ONE (1) M3 x 0.394" LG. SCREW
SUPPLIED FOR ASSEMBLY

TWO (2) NON-SKID SELF-ADHESIVE
RUBBER FEET SUPPLIED

TILT STAND CAN BE USED ON STYLE A
OR STYLE B HAND HELD ENCLOSURES

HAND HELD
ENCLOSURE

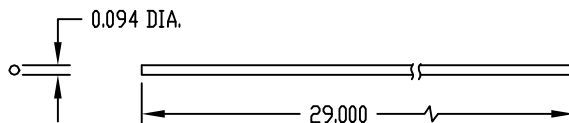


PART
NAME

GASKET

PART
No.

HH-3441-G



MATERIAL: NEOPRENE RUBBER
COLOR: GRAY

GASKET IS PRESS FIT INTO GROOVE
OF HAND HELD ENCLOSURE TOPS