

PART NAME

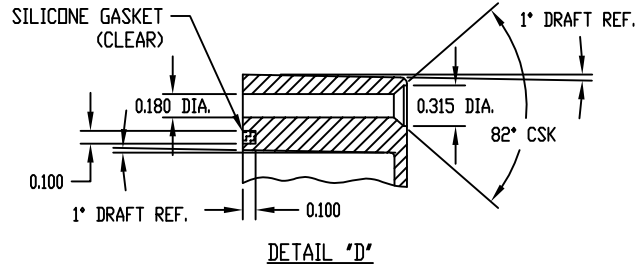
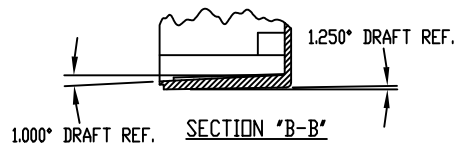
NEMA 4X DIE CAST ALUMINUM ENCLOSURE

PART No.

AN-1308, AN-1308-G, AN-2808 & AN-2808-B

REV. DATE

2-11-09

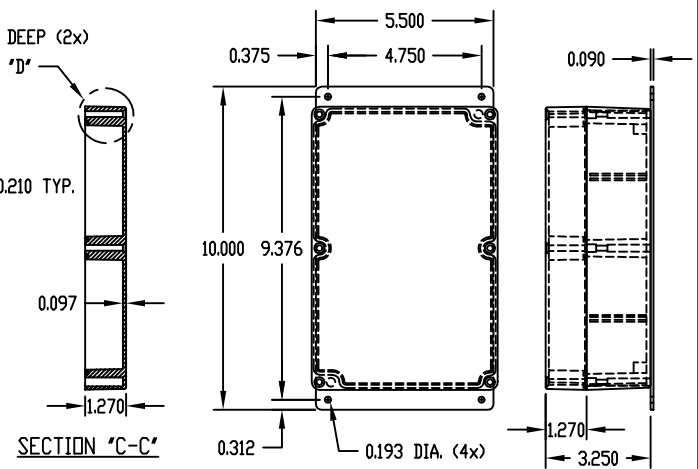
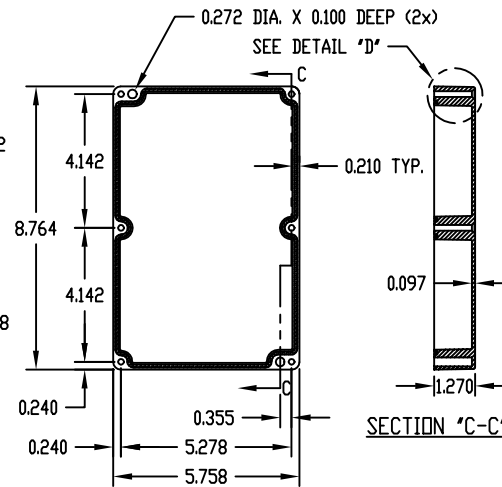
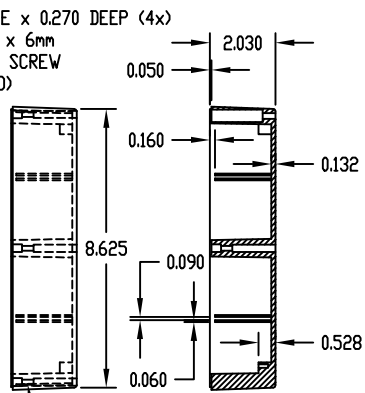
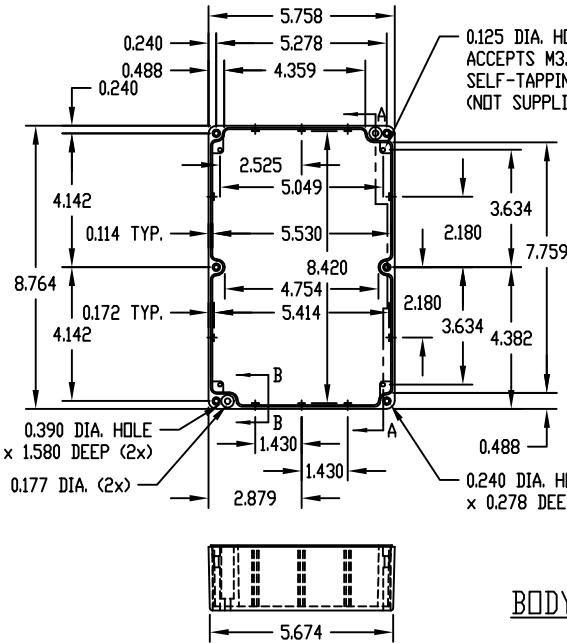


MATERIAL: ALUMINUM ALLOY #ADC-12

FINISH: NATURAL (NO SUFFIX)
 GRAY (SUFFIX -G)
 SMOOTH BLACK (SUFFIX -B)

NOTES:

- 1) SIX (6) M4 x 20mm (0.787") LG. SCREWS SUPPLIED FOR ASSEMBLY OF COVER TO BODY.
- 2) ALL HOLE DIAMETERS HAVE ±0.005 TOLERANCE
ALL OTHER DIMENSIONS HAVE ±0.015 TOLERANCE



PART NO. AN-2808 & AN-2808-B
 ARE SUPPLIED WITH A WELDED
 ON MOUNTING BRACKET ONLY.