



NTC THERMISTORS: TYPE DK

CHIP THERMISTOR IN DO-35 GLASS PACKAGE

DESCRIPTION:

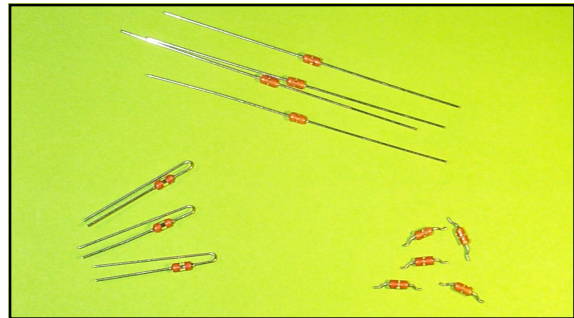
A range of NTC chip thermistors in DO-35 style glass package (diode outline) with axial solder-coated copper-clad steel wires.

FEATURES:

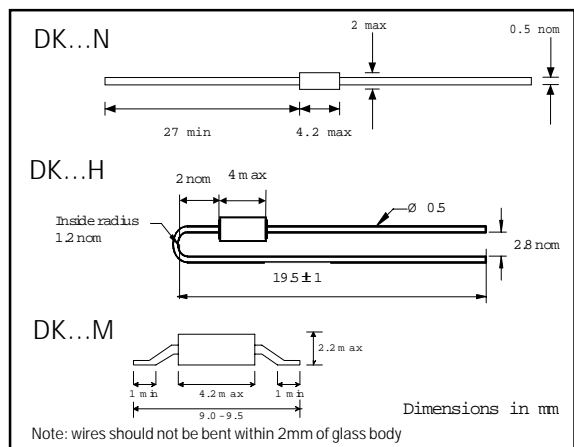
- Designed for accurate temperature measurement, control & compensation
- Tight tolerances on resistance and B value
- Operation up to 250°C with excellent stability
- Glass body provides hermetic seal & voltage insulation
- Available on axial bandolier to IEC 286-1
- Also available loose-packed with axial, radial and SMD wire forms
- Suitable for automotive, telecom (battery packs), HVAC & white goods applications

DATA

Operating temperature -40 to +250°C
 Thermal time constant 7s (cooling in air)
 Dissipation factor 3.0mW/K
 Mass 0.2g
 Packing / MOQ 1000/box (loose)
 5000/reel (bandoliered)



DIMENSIONS:



R25 Ω	Material system	B 25/85 K	Code R25 ±1%	Code R25 ±2%	Code R25 ±3%	Code R25 ±5%	Code R25 ±10%
2000	2	3540 ± 1%		DKA202*2	DKA202*3	DKA202*5	DKA202*10
5000	2	3540 ± 1%		DKA502*2	DKA502*3	DKA502*5	DKA502*10
10000	2	3540 ± 1%		DKA103*2	DKA103*3	DKA103*5	DKA103*10
10000	5A	3730 ± 2%			DKC103*3	DKC103*5	DKC103*10
12000	5A	3730 ± 2%		DKC123*2	DKC123*3	DKC123*5	DKC123*10
10000	3	3960 ± 1%	DKF103*1	DKF103*2	DKF103*3	DKF103*5	DKF103*10
20000	3	3960 ± 1%	DKF203*1	DKF203*2	DKF203*3	DKF203*5	DKF203*10
30000	3	3960 ± 1%	DKF303*1	DKF303*2	DKF303*3	DKF303*5	DKF303*10
50000	3	3960 ± 1%	DKF503*1	DKF503*2	DKF503*3	DKF503*5	DKF503*10
100000	3	3960 ± 1%	DKF104*1	DKF104*2	DKF104*3	DKF104*5	DKF104*10
200000	G	4263 ± 2%				DKG204*5	DKG204*10
500000	D	4573 ± 2%				DKD504*5	DKD504*10
1000000	D	4573 ± 2%				DKD105*5	DKD105*10

See separate tables for resistance - temperature data

CODING

Replace * in the codes shown above as follows:

- Axial, loose-packed** N
- Axial, bandoliered** B
- Radial, loose-packed** H
- Surface mount, loose-packed** M

OPTIONS:

- Other resistance values within the ranges shown e.g. code DKA302*2 for 3000Ω ± 2% at 25°C
- Reference temperatures in the range 0 to 150°C
- Operation to 300°C (no solder coating on wires)
- Wire lengths 4 to 32mm (± 1mm) for DK..N; up to 26mm for DK...H

Data sheet D-DK-6