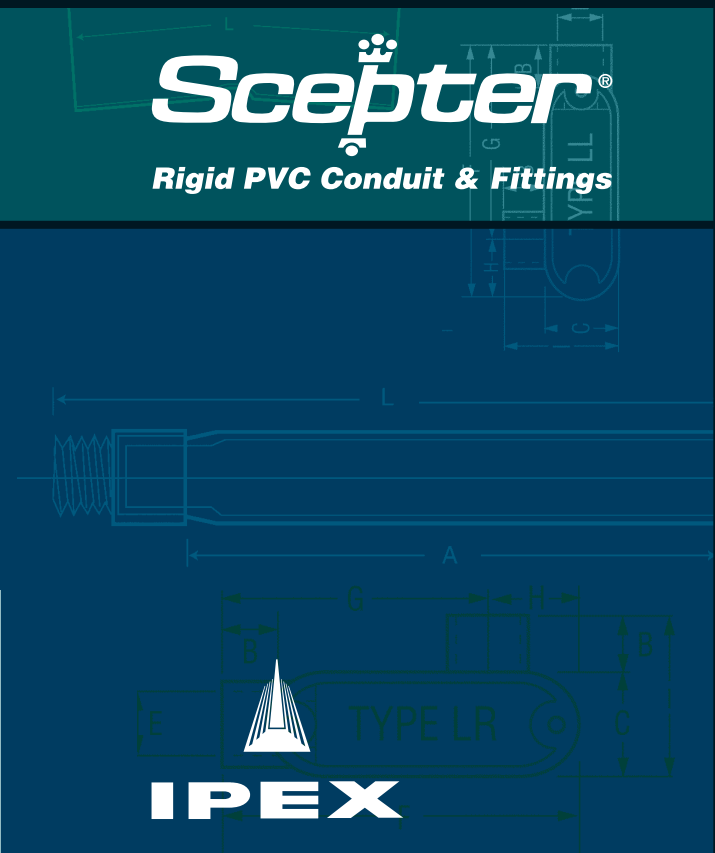


Scepter[®]
Rigid PVC Conduit & Fittings

ELECTRICAL SYSTEMS



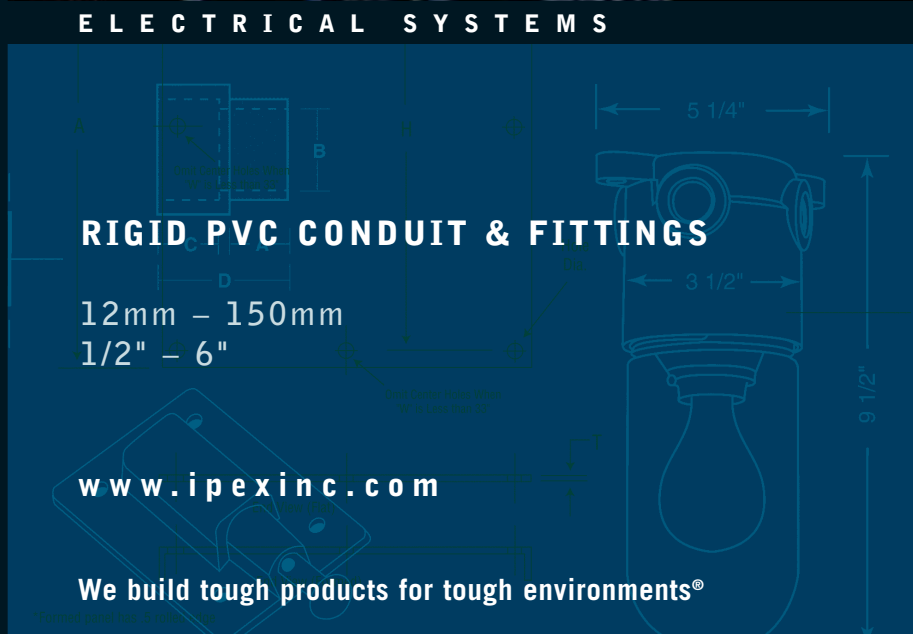
RIGID PVC CONDUIT & FITTINGS

12mm - 150mm
1/2" - 6"

www.ipexinc.com

We build tough products for tough environments[®]

Formed under U.S. Patent 4,111,111





IPEX, a leading supplier of thermoplastic piping systems, provides electrical and telecommunication contractors with a comprehensive range of products for piping infrastructure construction. This brochure features our Scepter Rigid PVC Conduit and Fittings products. IPEX electrical products include the following industry-leading brands.



Engineered for the rugged day-to-day challenges of the construction industry, the Kwikon ENT System has established itself as a market leader. Designed for installation encased in concrete and concealed in walls or ceilings Kwikon is the best alternative to the labor-intensive 10' lengths of metal conduit.

The Kwikon ENT System is available in 1/2" to 2" sizes and is approved for use in noncombustible 2hr & 4hr fire rated floor-ceiling assemblies (a minimum concrete cover is required).

The Kwikon ENT System truly offers *savings for the long run*.



Used for communication, data, cable television, and general purpose ducting FiberTel High Density Polyethylene Innerduct is ideal for both short runs and cross-country distances. FiberTel HDPE is available in 1/2" – 8" nominal-pipe sizes with wall thickness, diameter, color, resin type and coil lengths all specified to meet project requirements.



UL Listed and CSA certified, Kwikflex LFNC is available in 3/8" to 2" sizes in Type B and Extra-Flexible for indoor/outdoor use and direct burial for the protection of conductors where a degree of flexibility is required. Kwikflex LFNC connectors are available in a full range of sizes in straight and 90° configurations.



Super Duct products are available in 2"- 6" trade sizes and supplied in 20 foot lengths. Choose the duct product based on the wall thickness desired (EB20, EB35, DB60 and DB120) or meet Telcol requirements with 4" Telephone Duct in Type B, Type B (HW), Type C and Type D configurations.



TABLE OF CONTENTS

Introduction / Applications2
Advantages4
Installation8
Expansion & Contraction11
Standards & Sample Specification15
Rigid Conduit Dimensions16
Conduit Fittings18
• couplings18
• terminal adapters20
• female adapters20
• reducer bushings21
• threaded reducer bushings21
• end caps22
• O-Ring expansion joints22
• TA special expansion joint23
• one-piece expansion coupling23
• expansion & deflection fitting assemblies23
• elbows24
• pipe straps26
• clamps & wall spacers27
• access fittings28
• end bells32
• service entrance fittings32
• meter offsets33
• meter hubs33
• slip meter risers34
• poly plugs34
• pull elbows34
• strain relief connectors35
• light fixtures36
Conduit Repair Kit36
• EPR Kits36
• The PVC Pipe Viper™36
Covers & Plates37
• F-series - single gang plates37
• F-series - double gang plates38
• F-series - triple gang plates38
• single gang weatherproof covers39
• double gang weatherproof covers40
Boxes40
• F-series - single gang boxes41
• F-series - single gang deep boxes41
• F-series - double gang boxes42
• F-series - triple gang boxes42
• octagonal boxes43
• extension rings43
• threaded junction boxes43
• PVC molded junction boxes44
• fabricated boxes44
• flanged boxes45
• junction box adapters45
• nonmetallic floor boxes & accessories46
Cements & Primers48
Conduit Interlocking Spacers49
Notes	

INTRODUCTION

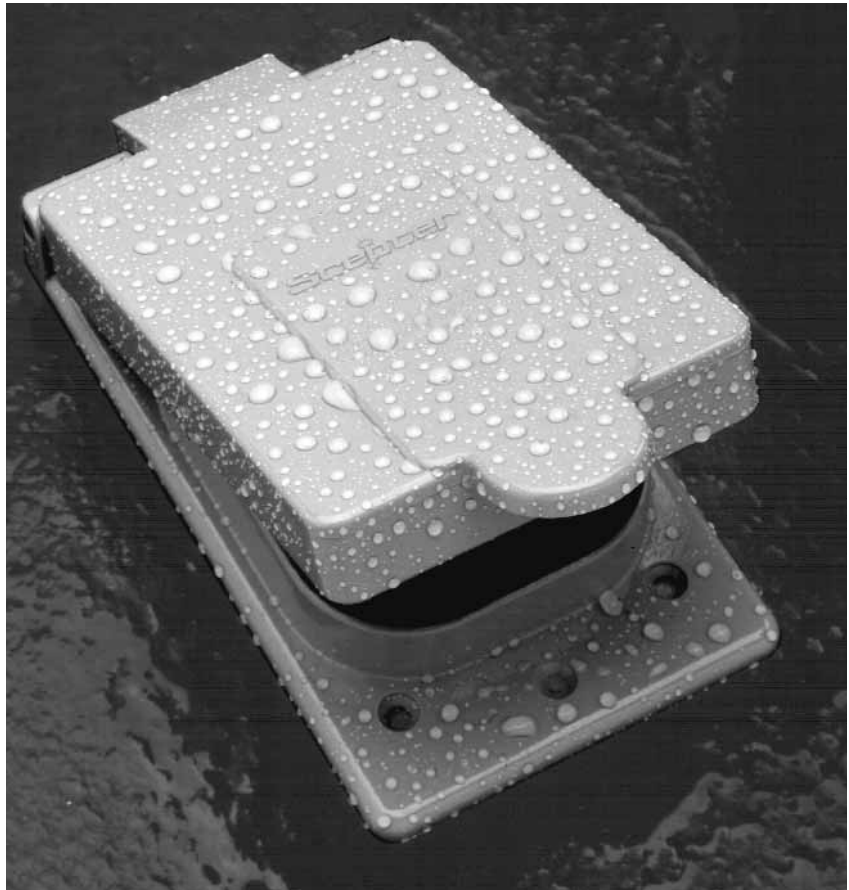
This manual provides the most comprehensive information about IPEX PVC systems – from basic raw material to installation characteristics of the finished product. Written with the engineer, contractor and distributor in mind, it is based on laboratory test results and IPEX's many years of field experience.

At IPEX, we have been extruding Scepter PVC conduit and molding Scepter PVC fittings since 1951. We formulate our own compounds, maintain strict quality control during production, and offer one of the most comprehensive lines of PVC electrical products throughout North America.

More important, our commitment to our customer extends beyond the sale. Quality control and thorough jobsite field reports have earned IPEX a reputation for product quality and service excellence.

Engineers, electricians, contractors, specifiers and utilities have realized for many years the advantages of PVC. Today, IPEX electrical systems include Scepter® PVC conduit and fittings, Kwikflex™ liquidtight flexible nonmetallic conduit and fittings, Super Duct™ power and communication ducts, Kwikon® ENT and fittings, FiberTel® High Density Polyethylene Innerduct, and Kwikpath® Communication Raceway Systems. These brands are the number-one choice for power, communication and data needs. Whether exposed, concealed in walls, encased in concrete, or directly buried, IPEX electrical systems are preferred For The Long Run.

Only when you specify IPEX by name are you guaranteed our commitment to excellence.



Typical industrial, commercial and residential applications of Scepter Rigid PVC Conduit pipe and fittings include:

- Utilities
- Cable
- Communications
- Street and highway lighting
- Residential applications
- Water treatment plants
- Airports
- Subways
- Sewage treatment plants
- Pulp and paper industries
- Parking garages
- Car washes
- Fish plants
- Marinas
- Agricultural, dairy, hogs, cattle, chicken, farms, etc.
- Bridges and tunnels
- Food processing plants
- Steel mills
- Mines



ADVANTAGES

LABOR SAVINGS

Compared to metal, PVC products reduce labor on a typical installation by up to two-thirds. The reason? PVC is easy to work with. It can also be cut and joined without the usual pipe vices, cutters, threading equipment, and reamers associated with metal conduit.

LIGHTWEIGHT CONDUIT

Scepter Rigid PVC Conduit is one-half the weight of aluminum and one-sixth the weight of steel. As a result, handling and installation are easier and faster, reducing labor costs.

EASY JOINING

Solvent cementing is all that is required, eliminating the need for power-threading machines, pipe vices and cutting equipment. A hacksaw or carpenter's saw is the only equipment required.

STRENGTH

Scepter Rigid PVC Conduit offers both high impact and high tensile strength, even in cold temperatures. They exceed all UL standards.

Scepter Rigid PVC Conduit Schedule 40	UL Impact Test
Size (in)	@ 72°F
1/2	50 ft.lbs
3/4	80 ft.lbs
1	100 ft.lbs
1-1/4	120 ft.lbs
1-1/2	150 ft.lbs
2	190 ft.lbs
2-1/2	210 ft.lbs
3 - 6	220 ft.lbs

EASY WIRE PULLS

PVC's exceptionally smooth interior surface greatly reduces the amount of friction while pulling conductors/wires through long runs, even with 90° bends. A large pull-rope and wire-pulling lubricant should be used when pulling all conductors and wires.



NONCORRODING

PVC is immune to damage from naturally corrosive soil conditions, as well as electro-chemical and galvanic corrosion. This ensures lower maintenance costs and superior performance For The Long Run.

NONCONDUCTING

Scepter Rigid PVC Conduit pipe and fittings are nonsparking and nonconducting, thereby eliminating the most dangerous 'second point of contact' and 'phase to ground' faults. The use of a separate grounding conductor in a Scepter PVC conduit system gives a complete and positive ground for the whole system.



CHEMICAL RESISTANCE

One of the greatest benefits of PVC is its excellent chemical resistance. It resists attack by acids, alkalies, salt solutions, and many other types of chemicals. For more information on PVC and chemical resistance, refer to the IPEX Chemical Resistance Guide.

LONG LIFE

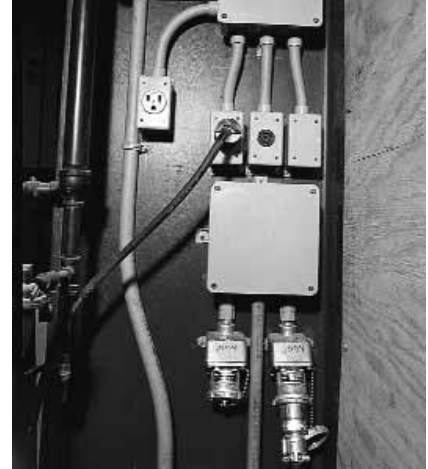
Scepter Rigid PVC Conduit pipe and fittings retain their original properties after years of exposure to direct sunlight, heat and weather. In addition, resistance to fungi, bacterial action, rodents, termites and corrosive agents ensures a long, trouble-free life for PVC conduit installed indoors or outdoors.

ADVANTAGES CONT'D

FIRE RESISTANT

IPEX's PVC compound used to manufacture Scepter products is a self-extinguishing material and will not support combustion. It will not drip or run when exposed to fire. Samples taken from an actual fire show the outer surface of the conduit was blistered and charred. The interior of the conduit, however, was unaffected. Additionally, the undamaged conductors were then removed and reinstalled in new conduit. Fire-resistant characteristics when tested to CAN ULC S102.2 are as follows:

IPEX Compound	Flame Spread	Smoke Developed	Fuel Contribution
1/8" thickness	10 - 20	225 - 270	0
3/4" thickness	10 - 20	300 - 390	0



CONCRETE TIGHT

Scepter Rigid PVC Conduit pipe and fittings are designed and engineered to be concrete tight in all weather conditions.



SUITABLE FOR DIRECT BURIAL

PVC is suitable for direct burial and requires no extra protection when installed in accordance with the Canadian Electrical Code, the National Electrical Code, and the local inspection authority guidelines. The usual care regarding trenches and backfilling should be respected.

ONE-SOURCE SPECIFICATION

IPEX offers a full range of PVC fittings and accessories. As a result, one-material specifying is possible.

QUALITY CONTROL

In addition to our rigorous quality control testing, IPEX electrical products carry third-party certification by CSA, UL, and NRTL.

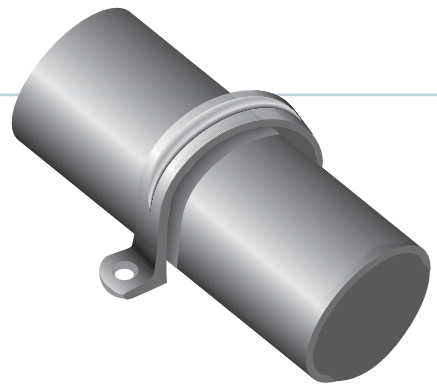


ADVANTAGES

INSTALLATION

SUPPORT

Due to PVC's lightweight, support spacing is different than that used with metal conduits. Supporting straps should NOT be firmly tightened, to allow for linear movement. The maximum allowable support spacing, per the National Electrical Code Article 352.30 (B) is as follows:



SUPPORT SPACING

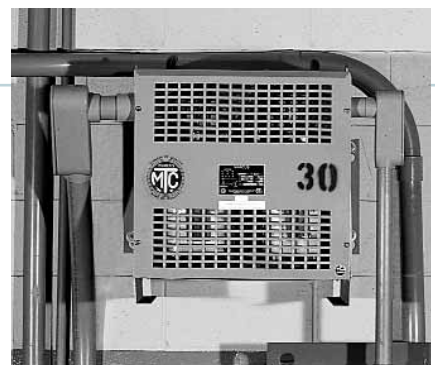
Nominal Conduit Diameter inches	National Electrical Code Max. Support Spacing feet
1/2	3
3/4	3
1	3
1-1/4	5
1-1/2	5
2	5
2-1/2	6
3	6
3-1/2	7
4	7
5	7
6	8



MAX OPERATING TEMPERATURE

The National Electrical Code (NEC) allows the use of rigid nonmetallic conduit (RNC) and fittings in locations where ambient temperatures are not in excess of 122°F.

The Canadian Electrical Code (CEC) allows the use of Scepter Rigid PVC Conduit up to a maximum ambient temperature of 167°F.



CUTTING

Scepter Rigid PVC Conduit can be easily cut on the jobsite by using a hacksaw, carpenter's saw or PVC conduit cutters. For larger sizes of conduit, the use of a mitre box is also recommended to ensure a square cut.

SOLVENT CEMENTING



After cutting Scepter Rigid PVC Conduit:

1. Remove all sharp edges or burrs from the inside of the conduit with a knife.
2. Thoroughly clean the end of the pipe and inside the fitting with a rag or pipe cleaner.
3. Check the pipe and fitting for a dry fit before cementing.
4. Apply a generous amount of IPEX solvent cement to both surfaces; slide together and give a quarter turn to ensure the solvent is spread evenly on the material.
5. Hold together for a few seconds until the joint is made.



Usually the solvent-cemented joint will be strong enough to install immediately. However, in climates with low temperatures or areas with high humidity, extra time may be required before moving the pipe for permanent installation. Solvent-cemented joints appear to “set up” instantly, but will take up to 24 hours to cure properly. After this time, the solvent-cemented joint has completely cured and is waterproof. For extreme cold weather installations, the use of IPEX PVC Primer is recommended. Normal installation temperatures are between 40°F and 110°F, however, high strength joints have been made at

temperatures as low as -15°F with quality cements. In these extreme conditions the cement must be kept warm to prevent excessive thickening and gelation in cold weather.

IPEX cements and primers are available in half-pint, pint, quart and gallon containers. The shelf life of conduit cement and primer is 2 years from the date of manufacture. The date code stamped on the bottom of the can is the date of manufacture, not the expiry date. Always verify that the cement is within this 2 year time frame before using.

INITIAL SET SCHEDULE FOR PVC SOLVENT CEMENTS*

Temperature Range	Pipe Size 1/2" - 1-1/4"	Pipe Size 1-1/2" - 2"	Pipe Size 2-1/2" - 6"
60° - 100°F	2 min.	3 min.	30 min.
40° - 60°F	5 min.	8 min.	2 hrs.
0° - 40°F	10 min.	15 min.	12 hrs.

NOTE: Initial set schedule is the necessary time to allow before the joint can be carefully handled.

*These figures are estimates based on our laboratory tests. Due to the many variables in the field, these figures should be used as a general guide only.

After initial set, the joints will withstand the stresses of a normal installation. (A misaligned installation will cause excessive stresses in the joint). For long runs of pipe, care should be taken not to disturb joints for 1/2 to 1-1/2 hours before handling or burying.

INSTALLATION CONT'D

AVERAGE # OF JOINTS PER PINT OR QUART OF CEMENT

Pipe Size (inches)	# of Joints per Pint	# of Joints per Quart	Pipe Size (inches)	# of Joints per Pint	# of Joints per Quart
1/2	350	700	2-1/2	40	80
3/4	200	400	3	35	70
1	150	300	1-1/2	30	60
1-1/4	110	220	4	24	48
1-1/2	80	160	5	10	20
2	45	90	6	8	16

BENDING

PVC is a thermoplastic material that, when heated, becomes soft and pliable. As a result, its shape can be altered.

A flameless heat source is recommended to heat the pipe. AN OPEN FLAME SHOULD NOT BE USED. An electric unit or an infra-red propane unit is recommended for heating the pipe.

The necessary temperature for bending Scepter Rigid PVC pipe is 260°F. The pipe must be heated evenly over an area approximately ten times the diameter of the pipe before any attempt at bending is made. Bending the pipe when it has not been thoroughly heated will cause the pipe to “kink.” With proper care and a little practice, the bend will form easily.

Cooling the pipe with cold air or water will cause “spring back.” Allow a few extra degrees of overbending to compensate for this phenomenon. The maximum bending radius shall be six times the internal diameter according to the Canadian Electrical Code and the National Electrical Code.

IPEX offers a large selection of Scepter Rigid PVC Schedule 40 and Schedule 80 bends.

Available in plain end or one end belled, Scepter bends are readily available in standard radius or special radius configuration (18", 24", 30", 36" 48").

Scepter special radius bends are available on request in almost any degree of bend and radius of bend as a special order.



USING EXPANSION JOINTS

It is equally important to know when to install an expansion joint as it is to know how to correctly install the expansion joint. Expansion joints are required when the temperature change is greater than 25°F. Scepter Rigid PVC Conduit has a coefficient of linear expansion of 3.6×10^{-4} in./ft./°F. Generally, a 100 ft. run of PVC conduit will undergo a change in length of 3.6 inches for every 100°F temperature change.

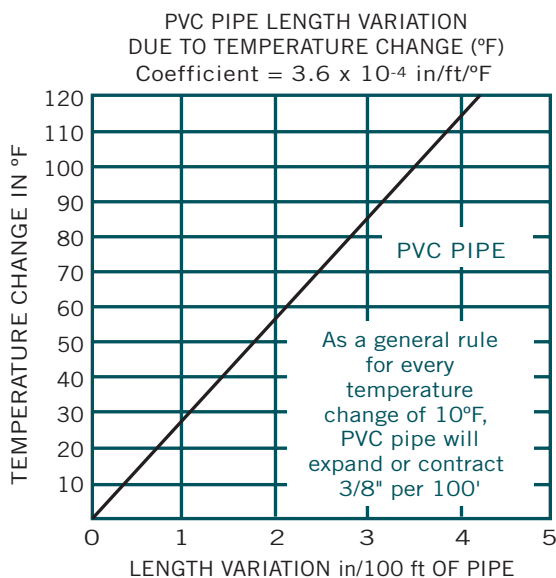
For conduit installed indoors, the range of expansion and contraction can be calculated using the maximum air temperature plus the heat contributed by the conductors inside the conduit and the minimum air temperature expected. Expansion joints are not required indoors unless there are widely varying temperatures such as the attic of a building.

Conduit installed outdoors, exposed to direct sunlight, will be considerably hotter than the air temperature. As a guideline in this case, add 27°F to the temperature change. Expansion joints should be installed to allow for all anticipated temperature changes.

EXPANSION FORMULA

By using the following formula and the chart below, the total expected expansion in a run can be easily determined:

$$^{\circ}\text{F Total Expansion (in.)} = \text{length of run (ft.)} \times \text{temperature change (}^{\circ}\text{F)} \times 0.00036$$



INSTALLATION CONT'D

NUMBER OF EXPANSION JOINTS REQUIRED

Use the following equation to determine the number of expansion joints needed for a Scepter Rigid PVC Conduit installation:

$$\text{Number of joints} = \frac{\text{total expansion (in)}}{4''}$$

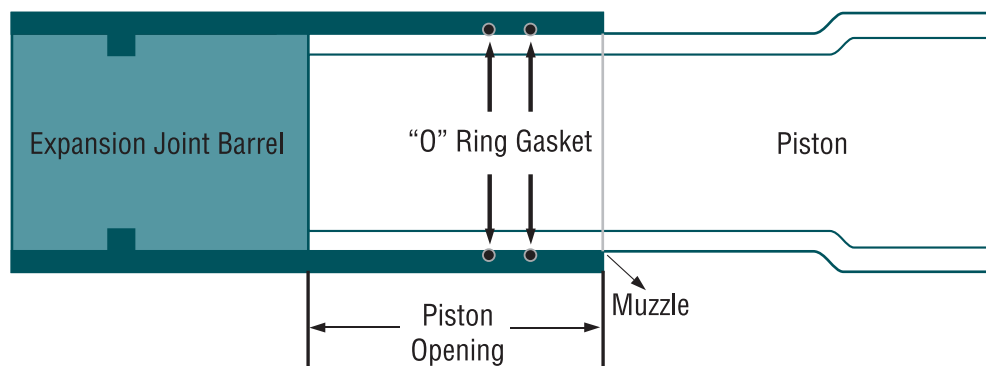
Always round up to the next whole number.

SETTING THE PISTON OPENING

The expansion joint must be installed to allow for expansion and contraction of the conduit run. on a cold day, if an expansion joint is installed completely closed with the piston bottomed, there is no room for expansion when the conduit is warmed. If it is installed open to the maximum on a hot day, the expansion joint will pull apart when cooled.

The correct piston opening for any installation condition can be easily determined using the formula below.

$$\text{Piston setting (inches)} = \frac{\text{max. temperature (°F)} - \text{installation temperature (°F)}}{\text{total temperature change (°F)}} \times 4$$



INSTALLATION OF EXPANSION JOINTS

USING EXPANSION JOINTS

Proper functioning of an expansion joint depends on three procedures:

1. The correct placement of the expansion joint.
2. The proper installation of Scepter Rigid PVC Conduit and the expansion joint.
3. The proper placement and fastening of support straps.

One Expansion Joint - Figure 1

If only one expansion joint is needed between two boxes, the barrel of the joint should be rigidly fastened close to the first box. Scepter Rigid PVC Conduit should then be loosely supported with straps, allowing the conduit to move freely as it expands and contracts.

Two Expansion Joints - Figure 2

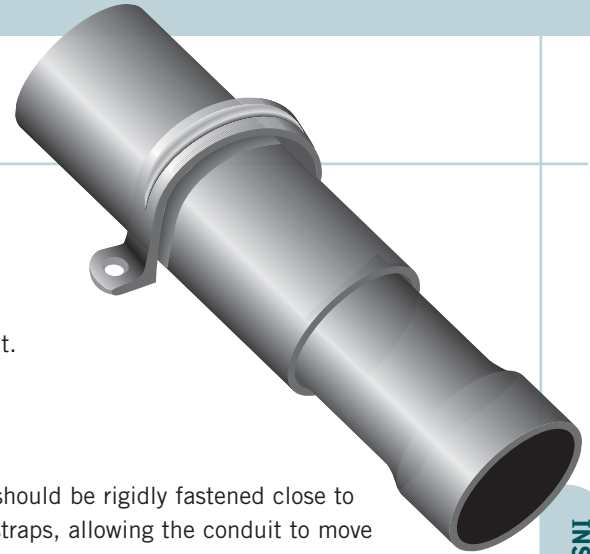
If two expansion joints are needed, the joints should be firmly fastened back to back at the centre of the run. Scepter Rigid PVC Conduit should be loosely supported with straps, allowing the conduit to move freely as it expands and contracts.

Two Expansion Joints (Alternative) - Figure 3

Alternatively, the centre of the run and the two expansion joints (located at the boxes) should be rigidly fastened. All other support straps should be loosely fastened.

Three or More Expansion Joints - Figure 4

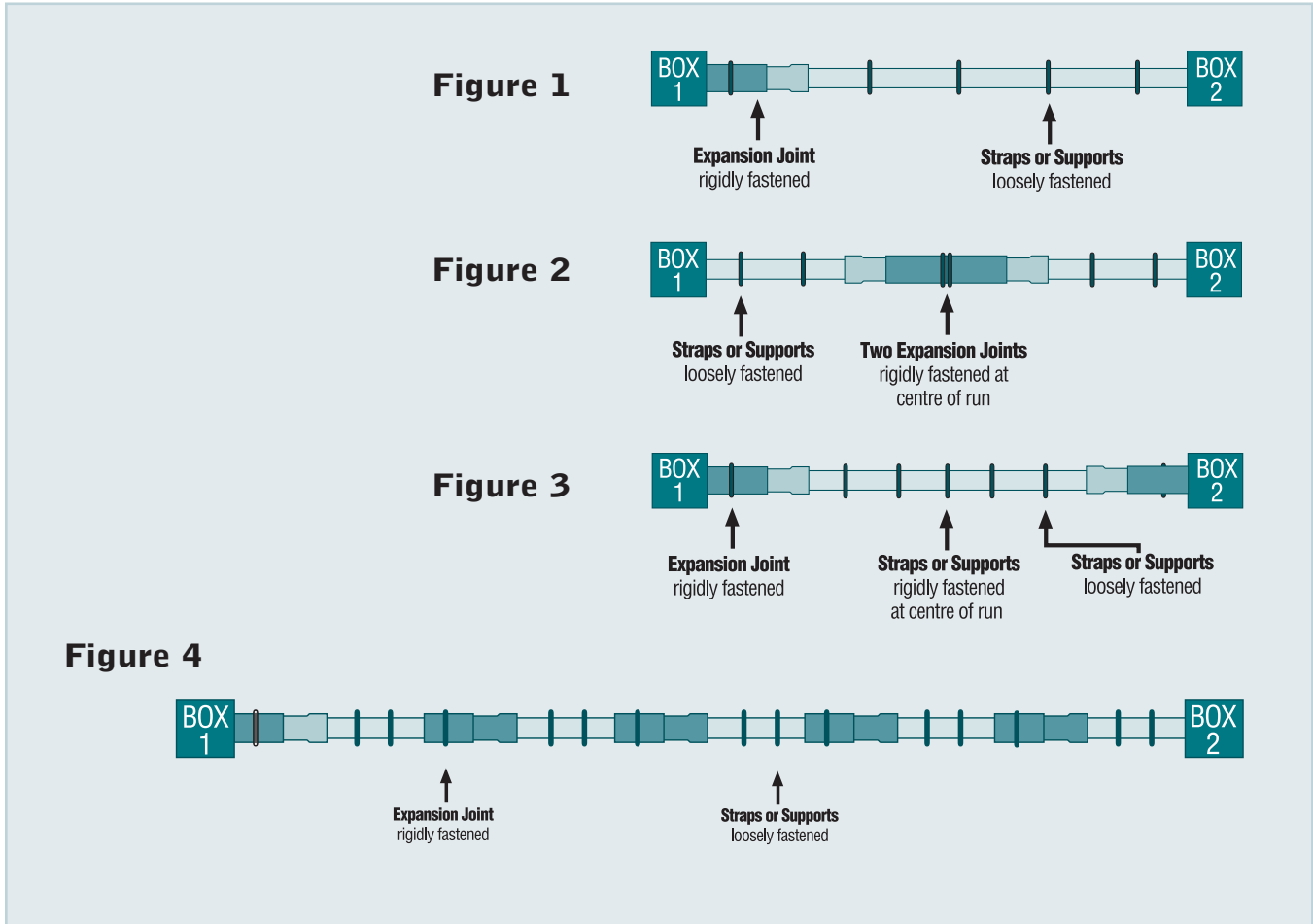
If more than two joints are needed in a very long run, they should be put in a series, one after the other. Each barrel must be rigidly fastened while conduit is loosely supported with straps allowing the conduit to move freely as it expands and contracts. When installed in a series, each section acts independently of the other. Spacing of conduit supports must be in accordance with Section 12-1114 of the Canadian Electrical Code or NEC Article 347-8. (See Table on Support Spacing)



INSTALLATION RECOMMENDATIONS

- Expansion joints should be mounted so the piston can travel in a straight line in the barrel. If the alignment is not straight, the piston will bind, preventing the joint from functioning correctly.
- The expansion joint barrel should be clamped tight, but the conduit mounted loose enough in its hangers to allow for movement as it expands and contracts.
- Scepter nonmetallic straps are correctly sized and designed for proper support, and must be used to secure the conduit.
- When expansion joints are used in a vertical position, the piston should be mounted in a downward position so dirt cannot deposit between the barrel and piston at the muzzle of the expansion joints.

INSTALLATION OF EXPANSION JOINTS CON'TD



COMMON MISTAKES

Three common mistakes are:

1. Forgetting to use expansion joints.
2. Not using enough expansion joints.
3. Overtightening of support straps.

It is more cost effective to use more expansion joints than needed, rather than too few. It is difficult to correct the problem after conductors are installed and in service. Failure to accommodate expansion/contraction may result in pipe fracture.

STANDARDS AND SAMPLE SPECIFICATIONS

LISTINGS

Scepter Rigid PVC Conduit conforms to these standards:

CSA C22.2 No. 211.2, CSA C22.2 No. 211.0

UL Listed - UL651

Sunlight Resistant

Rated for use with 90°C conductors

NEMA TC2

Corps. of Engineers Spec. CE 303:01

Military Spec, Federal Spec. WC 1094A

Scepter Rigid PVC boxes and fittings conform to these standards:

C22.2 No. 85

UL Listed

UL514B - UL514C



NRTL/C indicator adjacent to the CSA mark signifies that the product has been evaluated to the applicable ANSI/UL and CSA Standards, for use in the U.S. and Canada.

NRTL, Nationally Recognized Testing Laboratory, is a designation granted by the U.S. Occupational Safety and Health Administration (OSHA) to laboratories which have been recognized to perform certification to U.S. Standards.

APPROVALS

Canadian Electrical Code, Part 1. Rules 12-1100 – 12-1122

National Electrical Code, NEC 1999 Article 347, NEC 2002 Article 352

SAMPLE SHORT FORM SPECIFICATIONS

All wiring shall be installed in Rigid PVC conduit and secured to PVC boxes and cabinets by means of proper fittings. All boxes, access fittings and covers shall be furnished with threaded brass inserts, brass screws and PVC gaskets.

Rigid PVC fittings and junction boxes shall be used for all outlets, pull boxes and junction points. All PVC junction boxes shall be NEMA 1, 2, 3, 4, 4X, 6P, 12 and 13 rated and UL Listed for wet locations.

Exposed conduit shall be securely held in place by suitable hangers or straps with the maximum spacing of points for supports not exceeding those specified in the CEC or NEC. Except when embedded in concrete, rigid conduit pipe shall not be clamped tightly. It shall be supported in such a manner as to permit adequate linear movement, allowing for expansion and contraction of conduit due to temperature change. Where a temperature change exceeding 25°F is anticipated, or a length is expected to be 1/4" or greater in a straight line between securely mounted items, rigid PVC expansion joints shall be installed in accordance with the manufacturer's recommendations.

Proper care shall be taken when field bending, to maintain the internal diameter and wall thickness of the conduit.

The contractor shall furnish and install Scepter Rigid PVC conduit pipe and fittings made by IPEX. Where the engineer's specifications indicate Scepter products or equivalent, the equivalent shall be UL certified and accepted by the National Electrical Code. Due to broad manufacturing tolerances, all pipe and fitting products shall be of the same manufacturer.

CONDUIT DIMENSIONS

RIGID SCHEDULE 40 PVC CONDUIT

- UL Listed
- NEMA TC2
- Military Specification - WC1094A
- Federal Specification - WC1094A
- Corp. of Engineers Specification - CE 303:01
- Sunlight Resistant
- Rated for use with 90°conductors

Scepter Rigid Heavy Wall Conduit is listed with Underwriters Laboratories Inc. Installation is covered in the 2002 National Electrical Code Article 352, for use above and below ground encased in concrete, direct burial, exposed and concealed spaces.

Schedule 40 Heavy Wall in 10' or 20' Lengths

Nominal Size inches	10' Product Code	20' Product Code	O.D. inches	I.D. inches	Min. Wall inches	Weight lbs./100	Standard 10' ft./crate
1/2	032405	032406	0.840	0.622	0.109	15	6,000
3/4	032407	032408	1.050	0.824	0.113	21	4,400
1	032410	032411	1.315	1.049	0.133	31	3,600
1-1/4	032412	032414	1.660	1.380	0.140	42	3,300
1-1/2	032415	032416	1.900	1.610	0.145	53	2,250
2	032420	032421	2.375	2.067	0.154	71	1,400
2-1/2	032425	032426	2.875	2.469	0.203	112	780
3	032430	032431	3.500	3.068	0.216	166	780
3-1/2	032435	032436	4.000	3.548	0.226	200	630
4	032440	032441	4.500	4.026	0.237	236	600
5	032450	032451	5.563	5.047	0.258	321	230
6	032460	032461	6.625	6.065	0.280	417	260

RIGID SCHEDULE 80 PVC CONDUIT

Scepter Rigid Extra Heavy Wall Conduit is for use above ground where subject to severe physical abuse, pole risers, bridge crossings and other similar conditions.

Schedule 80 Extra Heavy Wall in 10' or 20' Lengths

Nominal Size inches	10' Product Code	20' Product Code	O.D. inches	I.D. inches	Min. Wall inches	Weight lbs./100	Standard 10' ft./crate
1/2	032505	032506	0.840	0.546	0.147	21	6,000
3/4	032507	032508	1.050	0.724	0.154	28	4,400
1	032510	032511	1.315	0.957	0.179	41	3,600
1-1/4	032512	032514	1.660	1.278	0.191	57	3,300
1-1/2	032515	032516	1.900	1.500	0.200	70	2,250
2	032520	032521	2.375	1.939	0.218	96	1,400
2-1/2	032525	032526	2.875	2.323	0.276	146	930
3	032530	032531	3.500	2.900	0.300	195	880
4	032540	032541	4.500	3.826	0.337	286	570
5	032550	032551	5.563	4.813	0.375	397	380
6	032560	032561	6.625	5.761	0.432	546	260

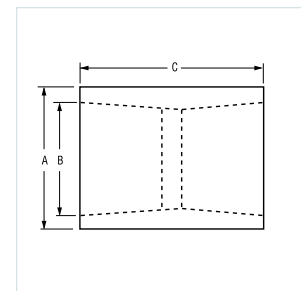
WEIGHT COMPARISON OF RIGID PVC CONDUIT

Nominal Size inches	Sch 40 PVC inches	Sch 80 PVC inches	Aluminum inches	Rigid Steel inches
1/2	15	21	28	79
3/4	21	28	27	105
1	31	41	53	153
1-1/4	42	57	70	201
1-1/2	53	70	86	249
2	71	96	116	334
2-1/2	112	146	183	527
3	166	195	239	690
3-1/2	200	-	288	831
4	236	286	340	982
5	321	397	465	1334
6	417	546	613	1771

COUPLINGS

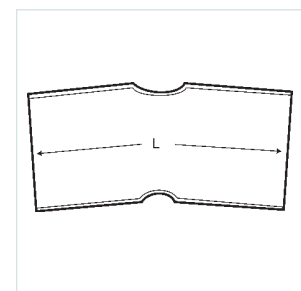
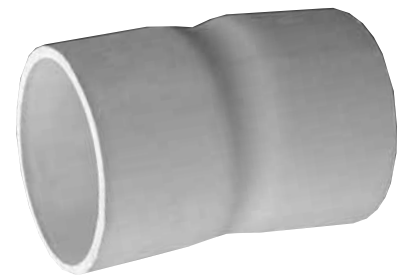
COUPLINGS

Size (inches)	Part Number	Product Code	A (inches)	B (inches)	C (inches)
1/2	EC10	068000	1.060	0.844	1.400
3/4	EC15	068001	1.310	1.056	1.640
1	EC20	077003	1.590	1.315	2.031
1-1/4	EC25	077004	2.000	1.660	2.156
1-1/2	EC30	077005	2.230	1.900	2.281
2	EC35	077006	2.720	2.375	2.406
2-1/2	EC40	077007	3.320	2.875	3.187
3	EC45	077008	4.000	3.500	3.437
3-1/2	EC50	077009	4.500	4.000	3.625
4	EC55	077010	5.000	4.500	3.750
5	EC60	077011	6.120	5.563	4.187
6	EC65	077012	7.370	6.625	4.562

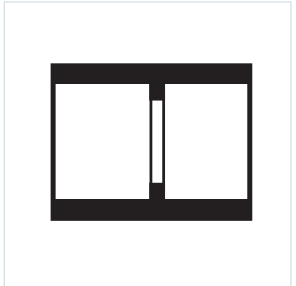


5° COUPLINGS

Size (inches)	Part Number	Product Code	L (inches)
2	5EC35	077100	4.0
2-1/2	5EC40	077101	5.5
3	5EC45	077103	6.0
3-1/2	5EC50	077102	7.0
4	5EC55	077104	7.0
5	5EC60	077105	7.5
6	5EC65	077106	11.0



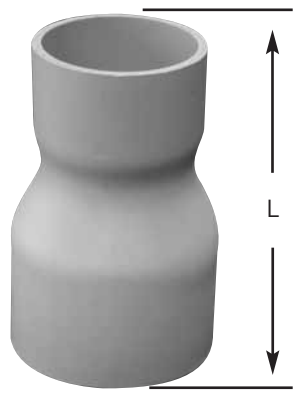
LONG LINE COUPLINGS



Size (inches)	Part Number	Product Code	A (inches)
1-1/2	LLC30	077192	3.175
2	LLC35	077193	3.675
2-1/2	LLC40	077194	4.280
3	LLC45	077195	4.800
4	LLC55	077196	6.200
5	LLC60	077197	8.220
6	LLC65	077198	8.220

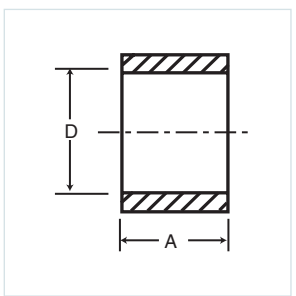
FABRICATED SWEDGE REDUCER COUPLINGS

(Socket x Socket) Other sizes available upon request.



Size (inches)	Part Number	Product Code	L (inches)
2 x 1-1/4	SW3525	077320	4
3 x 2	SW4535	077321	6
3 x 2-1/2	SW4540	077335	6.5
4 x 2	SW5535	077322	7
4 x 2-1/2	SW5540	069282	-
4 x 3	SW5545	077333	7

REPAIR COUPLING SLEEVE



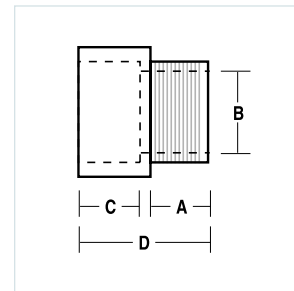
Size (inches)	Part Number	Product Code	A (inches)	D Min (inches)	D Max (inches)
1-1/2	REC30	077292	2.300	1.912	1.924
2	REC35	077293	2.405	2.367	2.399
2-1/2	REC40	077294	3.450	2.883	2.897
3	REC45	077295	3.600	3.507	3.523
4	REC55	077296	3.920	4.506	4.524
5	REC60	077297	4.275	5.583	5.603
6	REC65	077298	4.620	6.647	6.669

ADAPTERS

TERMINAL ADAPTERS

1/2" - 1-1/4" Tapered Thread; 1-1/2" - 6" Non-Tapered Thread

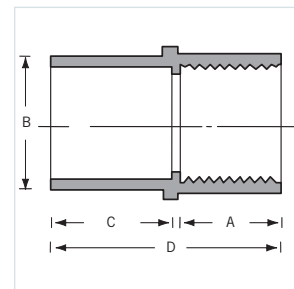
Size (inches)	Part Number	Product Code	A (inches)	B (inches)	C (inches)	D (inches)
1/2	TA10	077021	0.700	0.591	0.750	1.550
3/4	TA15	077022	0.675	0.790	1.000	1.750
1	TA20	077023	0.625	1.000	1.115	1.860
1-1/4	TA25	077024	0.640	1.311	1.300	2.125
1-1/2	TA30	077025	0.725	1.530	1.425	2.250
2	TA35	077026	0.800	1.970	1.150	2.100
2-1/2	TA40	077027	0.800	2.346	1.900	2.930
3	TA45	077028	0.815	2.915	2.000	3.055
3-1/2	TA50	077029	1.000	3.385	1.715	3.055
4	TA55	077030	0.815	3.850	1.990	3.215
5	TA60	077031	1.725	5.015	2.000	5.985
6	TA65	077032	1.875	6.025	2.130	6.500



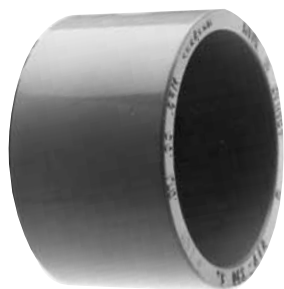
FEMALE ADAPTERS

NPT Tapered Thread

Size (inches)	Part Number	Product Code	A (inches)	B (inches)	C (inches)	D (inches)
1/2	FA10	077041	0.800	0.620	0.825	1.725
3/4	FA15	077042	0.800	0.820	1.000	1.900
1	FA20	077043	1.000	1.065	1.200	2.300
1-1/4	FA25	077044	1.015	1.395	1.300	2.425
1-1/2	FA30	077045	1.050	1.575	1.290	2.440
2	FA35	077046	1.075	2.050	1.375	2.550
2-1/2	FA40	077047	1.675	2.470	1.985	3.760
3	FA45	077048	1.630	3.090	2.150	4.100
3-1/2	FA50	077049	1.800	3.540	2.000	3.985
4	FA55	077050	1.755	4.025	2.185	4.210
5	FA60	077051	2.065	5.035	3.000	5.240
6	FA65	077052	2.065	6.045	3.000	5.235



REDUCER BUSHINGS



Size (inches)	Part Number	Product Code
3/4 x 1/2	1805	077300
1 x 1/2	1805-1	077301
1 x 3/4	1806	077302
1-1/4 x 3/4	1807-1	077303
1-1/4 x 1	1807	077304
1-1/2 x 1	1808-1	077305
1-1/2 x 1-1/4	1808	077306
2 x 1	1809-1	077313
2 x 1-1/4	1809	077307
2 x 1-1/2	1810	077308
2-1/2 x 2	1811	077309
3 x 2	1812-1	077310
3 x 2-1/2	1812	077311
4 x 2	1813-1	077319
4 x 3	1813	077312
4 x 3-1/2	1814	077317

THREADED REDUCER BUSHINGS



Size (inches)	Part Number	Product Code
3/4 x 1/2	1825	077314
1 x 1/2	1826	077315
1 x 3/4	1827	077316

END CAPS

CONDUIT FITTINGS

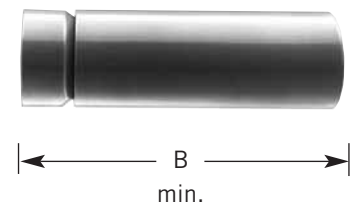
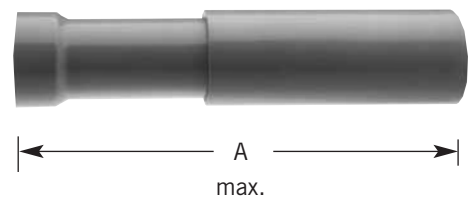
END CAPS

Size (inches)	Part Number	Product Code
1/2	CAP10	077421
3/4	CAP15	077422
1	CAP20	077423
1-1/4	CAP25	077424
1-1/2	CAP30	077425
2	CAP35	077426
2-1/2	CAP40	077427
3	CAP45	077428
3-1/2	CAP50	077429
4	CAP55	077430
5	CAP60	077431
6	CAP65	077432



“O” RING EXPANSION JOINTS

Size (inches)	Part Number	Product Code	A (in.) max.	B (in.) min.	Travel (inches)
1/2	EJ10	077381	12.00	8.00	4
3/4	EJ15	077382	12.00	8.00	4
1	EJ20	077383	12.50	8.50	4
1-1/4	EJ25	077384	13.00	9.00	4
1-1/2	EJ30	077385	13.00	9.00	4
2	EJ35	077386	13.25	9.25	4
2-1/2	EJ40	077387	13.25	9.25	4
3	EJ45	077388	22.25	14.25	8
3-1/2	EJ50	077389	22.25	14.25	8
4	EJ55	077390	22.25	14.25	8
5	EJ60	077391	22.25	14.25	8
6	EJ65	077392	22.25	14.25	8



EXPANSION JOINTS



TA SPECIAL EXPANSION JOINT

Size (inches)	Part Number	Product Code
2-1/2	EJ40TA	077398

ONE-PIECE EXPANSION COUPLING



Size (inches)	Part Number	Product Code
1/2	OPEJ10	077018
3/4	OPEJ15	077019
1	OPEJ20	077053
1-1/4	OPEJ25	077054
1-1/2	OPEJ30	077061
2	OPEJ35	077063

EXPANSION & DEFLECTION FITTING ASSEMBLIES



Size (inches)	Part Number	Description	Product Code
2	SE-J-35	Complete Assembly	077889
3	SE-J-45	Complete Assembly	077890
4	SE-J-55	Complete Assembly	077891

The National Electrical Code requires the use of expansion fittings for RNC to compensate for thermal expansion & contraction. For more information consult the NEC 2002 Article 352.44 and review the expansion and contraction information on pages 11, 12 and 13 of this brochure.

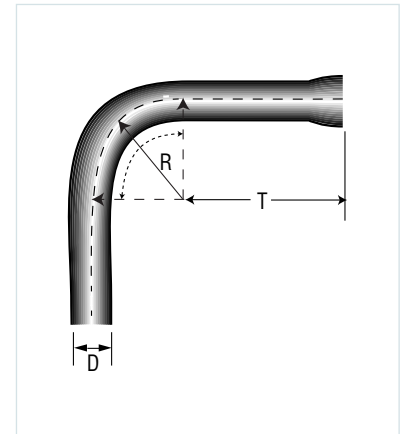
ELBOWS

UL SPECIAL RADIUS 90° ELBOWS

c/w Solvent Bell End

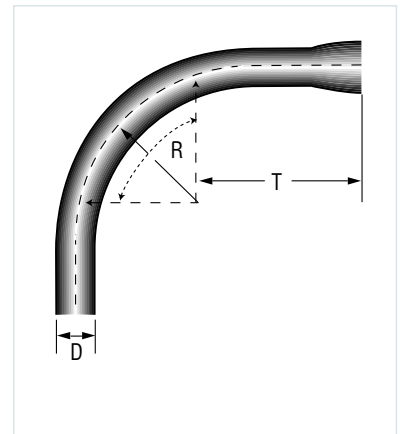
Size (inches)	Part Number	Product Code	D (inches)	T (inches)	R (inches)
2	NSL 2-24	068725	2.375	2.000	24.00
2	NSL 2-36	068765	2.375	2.000	36.00
3	NSL 3-24	068727	3.500	3.125	24.00
3	NSL 3-36	068767	3.500	3.125	36.00
4	NSL 4-36	068769	4.500	3.375	36.00
4	NSL 4-48	068789	4.500	3.375	48.00
5	NSL 5-36	068771	5.563	3.625	36.00
6	NSL 6-36	068772	6.625	3.370	36.00

Note: Other sizes are available and in stock. Consult your IPEX price list.

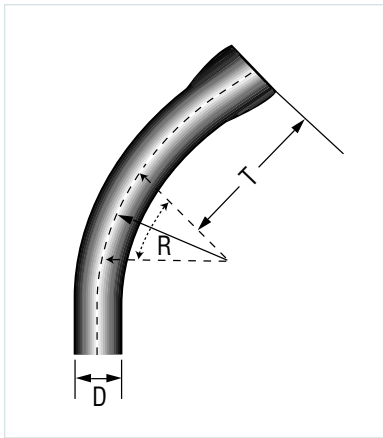


UL 90° ELBOWS

Size (inches)	Pro/code Bell End	Pro/code Plain End	D (inches)	T (inches)	R (inches)
1/2	068420	068580	0.840	1.500	4.00
3/4	068421	068581	1.050	1.500	4.50
1	068422	068582	1.315	1.875	5.75
1-1/4	068423	068583	1.660	2.000	7.25
1-1/2	068424	068584	1.900	2.000	8.25
2	068425	056858	2.375	2.000	9.50
2-1/2	068426	068586	2.875	3.000	10.50
3	068427	068587	3.500	3.125	13.00
3-1/2	068428	068588	4.000	3.250	15.00
4	068429	068589	4.500	3.375	16.00
5	068430	068591	5.563	31.700	24.00
6	068431	068592	6.625	31.700	36.00



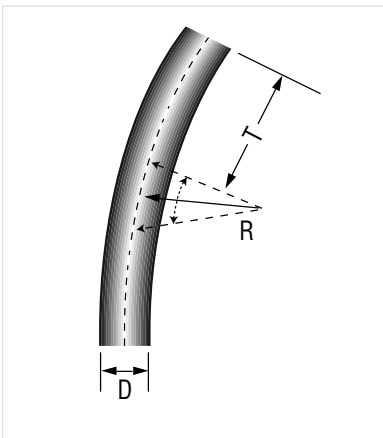
UL 45° ELBOWS



Size (inches)	Pro/code Bell End	Pro/code Plain End	D (inches)	T (inches)	R (inches)
1/2	068561	068600	0.840	1.500	4.00
3/4	068562	068601	1.050	1.500	4.50
1	068563	068602	1.315	1.875	5.75
1-1/4	068564	068603	1.660	2.000	7.25
1-1/2	068565	068604	1.900	2.000	8.25
2	068566	068605	2.375	2.000	9.50
2-1/2	068567	068606	2.875	3.000	10.50
3	068568	068607	3.500	3.125	13.00
3-1/2	068569	068608	4.000	3.250	15.00
4	068570	068609	4.500	3.375	16.00
5	068571	068611	5.563	3.625	24.00
6	068572	068612	6.625	3.750	30.00

UL 30° ELBOWS

Plain End x Plain End



Size (inches)	Part Number	Product Code	D (inches)	T (inches)	R (inches)
1/2	EE1030	068620	0.840	1.500	4.00
3/4	EE1530	068621	1.050	1.500	4.50
1	EE2030	068622	1.315	1.875	5.75
1-1/4	EE2530	068623	1.660	2.000	7.25
1-1/2	EE3030	068624	1.900	2.000	8.25
2	EE3530	068625	2.375	2.000	9.50
2-1/2	EE4030	068626	2.750	3.000	10.50
3	EE4530	068627	3.500	3.125	13.00
3-1/2	EE5030	068628	4.000	3.250	15.00
4	EE5530	068629	4.500	3.375	16.00
5	EE6030	068631	5.563	3.625	24.00
6	EE6530	068632	6.625	3.750	30.00

PIPE STRAPS

PIPE STRAPS PVC

2 Hole

Size (inches)	Part Number	Product Code
1/2	PS10	077811
3/4	PS15	077812
1	PS20	077813
1-1/4	PS25	077814
1-1/2	PS30	077815
2	PS35	077816



PIPE STRAPS POLYETHYLENE (PE)

2 Hole

Size (inches)	Part Number	Product Code
2-1/2	PS40	077262
3	PS45	077263
4	PS55	077264



PIPE STRAPS COATED STEEL

2 Hole

Size (inches)	Part Number	Product Code
2	CS35	077818
2-1/2	CS40	077819
3	CS45	077820
3-1/2	CS50	077821
4	CS55	077822
5	CS60	077824
6	CS65	077823



CLAMPS & WALL SPACERS

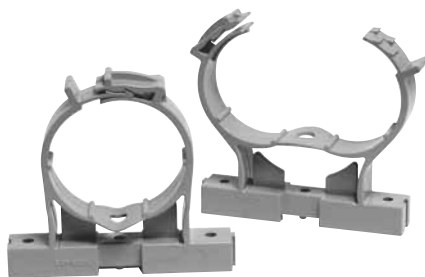
PIPE STRAPS COATED STEEL

1 Hole



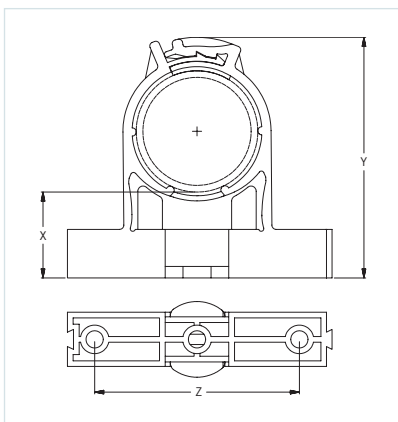
Size (inches)	Part Number	Product Code
1/2	CS10-1	077831
3/4	CS15-1	077832
1	CS20-1	077833
1-1/4	CS25-1	077834
1-1/2	CS30-1	077835
2	CS35-1	077836
2-1/2	CS40-1	077837
3	CS45-1	077838
3-1/2	CS50-1	077839
4	CS55-1	077840

NONMETALLIC CONDUIT CLAMPS & WALL SPACERS



Size (inches)	Part Number	Product Code	X (inches)	Y (inches)	Z (inches)
1/2	CCS10	077794	1.191	2.414	1.824
3/4	CCS15	077796	1.195	2.660	2.106
1	CCS20	077797	1.215	2.962	2.443
1-1/4	CCS25	077798	1.182	3.300	2.855
1-1/2	CCS30	077799	1.193	3.600	3.170
2	CCS35	077800	1.195	4.135	3.785
Base	CCS-B	077343	-	-	-

Note: CCS-B are sold individually, two pieces are required to create one base unit.



ACCESS FITTINGS

ACCESS FITTINGS* TYPE LB

Hub Size (inches)	Part Number	Product Code
1/2	SLB10S	077541
3/4	SLB20S	077542
1	SLB30S	077543
1-1/4	SLB40S	077544
1-1/2	SLB50S	077545
2	SLB60S	077546
2-1/2	SLB70S	077547
3	SLB80S	077548
3-1/2	SLB90S	077549
4	SLB100S	077550



ACCESS FITTINGS* TYPE LR

Hub Size (inches)	Part Number	Product Code
1/2	SLR10S	077481
3/4	SLR20S	077482
1	SLR30S	077483
1-1/4	SLR40S	077484
1-1/2	SLR50S	077485
2	SLR60S	077486
2-1/2	SLR70S	077480
3	SLR80S	077488
3-1/2	SLR90S	077487
4	SLR100S	077489



* All access fittings are CSA certified and all access fittings except Type TB are UL listed for wet locations. Supplied with threaded brass inserts, combination brass head screws and PVC gasketing.

* Stainless steel screws are available upon request.

ACCESS FITTINGS* TYPE LL



Hub Size (inches)	Part Number	Product Code
1/2	SLL10S	077521
3/4	SLL20S	077522
1	SLL30S	077523
1-1/4	SLL40S	077524
1-1/2	SLL50S	077525
2	SLL60S	077526
2-1/2	SLL70S	077527
3	SLL80S	077528
3-1/2	SLL90S	077530
4	SLL100S	077529

ACCESS FITTINGS* TYPE T



Hub Size (inches)	Part Number	Product Code
1/2	ST10S	077461
3/4	ST20S	077462
1	ST30S	077463
1-1/4	ST40S	077464
1-1/2	ST50S	077465
2	ST60S	077466
2-1/2	ST70S	077467
3	ST80S	077468
3-1/2	ST90S	077571
4	ST100S	077572

* All access fittings are CSA certified and all access fittings except Type TB are UL listed for wet locations. Supplied with threaded brass inserts, combination brass head screws and PVC gasketing.

* Stainless steel screws are available upon request.

ACCESS FITTINGS CONT'D

ACCESS FITTINGS* TYPE C

Hub Size (inches)	Part Number	Product Code
1/2	SC10S	077501
3/4	SC20S	077502
1	SC30S	077503
1-1/4	SC40S	077504
1-1/2	SC50S	077505
2	SC60S	077506
2-1/2	SC70S	077507
3	SC80S	077508
3-1/2	SC90S	077510
4	SC100S	077509



ACCESS FITTINGS* TYPE E

Hub Size (inches)	Part Number	Product Code
1/2	SE10S	077561
3/4	SE20S	077562
1	SE30S	077563
1-1/4	SE40S	077564
1-1/2	SE50S	077565
2	SE60S	077566
2-1/2	SE70S	077567
3	SE80S	077568
3-1/2	SE90S	077569
4	SE100S	077570



* All access fittings are CSA certified and all access fittings except Type TB are UL listed for wet locations. Supplied with threaded brass inserts, combination brass head screws and PVC gasketing.

* Stainless steel screws are available upon request.

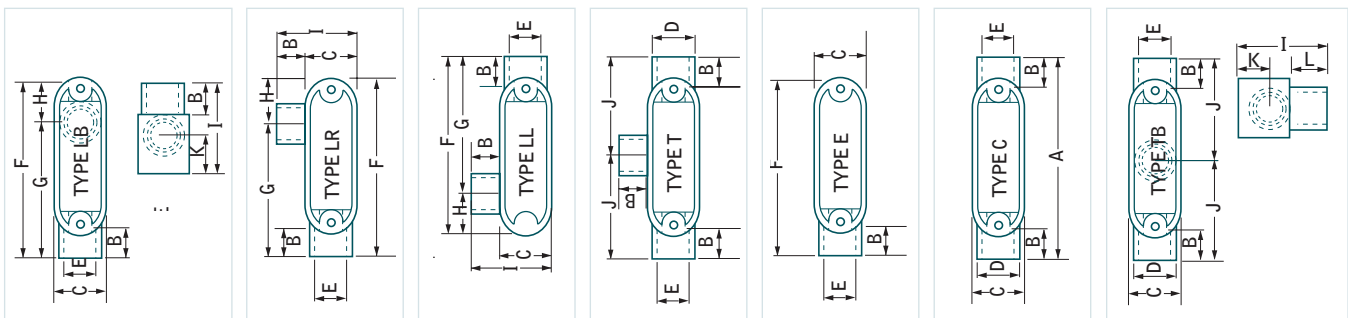
ACCESS FITTINGS* TYPE TB



Hub Size (inches)	Part Number	Product Code
1/2	STB10S	077451
3/4	STB20S	077452
1	STB30S	077453
1-1/4	STB40S	077454
1-1/2	STB50S	077455
2	STB60S	077456

ACCESS FITTING DIMENSIONS

Size (inches)	A (inches)	B (inches)	C (inches)	D (inches)	E (inches)	F (inches)	G (inches)	H (inches)	I (inches)	J (inches)	K (inches)	L (inches)
1/2	5.606	0.639	1.268	1.100	0.840	4.337	4.095	1.297	2.487	2.280	1.005	0.750
3/4	5.606	0.810	1.536	1.325	1.050	5.395	4.095	1.297	2.487	2.803	1.005	0.810
1	6.500	0.910	1.700	1.100	1.335	6.250	4.750	1.500	2.075	3.250	1.125	1.115
1-1/4	7.900	1.050	2.300	2.250	1.660	7.625	5.750	1.750	3.575	3.950	1.562	1.300
1-1/2	8.500	1.125	2.675	2.250	1.900	8.250	6.500	1.750	3.938	4.250	1.656	1.425
2	10.875	1.160	3.188	2.820	2.375	10.531	8.156	2.344	4.535	5.438	1.968	1.160
2-1/2	14.600	1.750	4.500	3.950	2.870	13.630	9.825	3.805	6.240	7.300	2.610	-
3	14.600	1.900	4.500	3.950	3.510	13.630	10.897	2.733	6.240	7.300	2.610	-
3-1/2	17.040	2.125	5.536	5.000	4.000	16.000	11.465	4.535	7.500	8.535	2.975	-
4	17.040	2.125	5.536	5.000	4.530	16.000	11.465	4.535	7.500	8.535	2.975	-



* All access fittings are CSA certified and all access fittings except Type TB are UL listed for wet locations. Supplied with threaded brass inserts, combination brass head screws and PVC gasketing.

* Stainless steel screws are available upon request.

END BELLS & SERVICE ENTRANCE FITTINGS

END BELLS

Size (inches)	Part Number	Product Code
1/2	EB-10	077406
3/4	EB-15	077085
1	EB-20	077323
1-1/4	EB-25	077324
1-1/2	EB-30	077325
2	EB-35	077326
2-1/2	EB-40	077327
3	EB-45	077328
3-1/2	EB-50	077329
4	EB-55	077330
5	EB-60	077331
6	EB-65	077332



SERVICE ENTRANCE FITTINGS

Size (inches)	Part Number	Product Code
1/2	EF10	077281
3/4	EF15	077282
1	EF20	077283
1-1/4	EF25	077284
1-1/2	EF30	077285
2	EF35	077286
2-1/2	EF40	077287
3	EF45	077288
3-1/2	EF50	077289
4	EF55	077290



METER OFFSETS & HUBS

METER OFFSETS



Size (inches)	Part Number	Product Code
1-1/4	MO25	077941
2	MO35	077942

LONG METER OFFSETS

Fabricated



Size (inches)	Part Number	Product Code	A (inches)	B (offset)
1-1/4	LMO25	069641	12	0.91
1-1/2	LMO30	069645	12	1.61
2	LMO35	069646	14	1.50

METER HUBS



Size (inches)	Part Number	Product Code
1-1/4	MHU25	077961
1-1/2	MHU30	077963
2	MHU35	077965
2-1/2	MHU40	077967
3	MHU45	077968

PULL ELBOW, RISERS & PLUGS

“TWO IN ONE” PULL ELBOW

The “two in one” access pull elbow reduces inventory costs (3/4" hub fitting supplied with 3/4" x 1/2" reducers). This pull elbow is approved for wet locations and provides for easy wire pulling. It is manufactured from high impact, nonconducting and noncorroding PVC.

Size (inches)	Part Number	Product Code
1/2 or 3/4	PE15/10	077491



SLIP METER RISERS

Size (inches)	Part Number	Product Code	L (inches)	A (inches)
2	SMR35TA	068371	25.188	23.088
2-1/2	SMR40TA	068372	25.188	22.258
3	SMR45TA	068373	25.188	21.133
4	SMR55TA	068374	25.188	21.973

Schedule 40 Rigid PVC Conduit



POLY PLUGS

Size (inches)	Part Number	Product Code
2 - 2-1/2	PP3540	077433
3 - 3-1/2	PP4550	077434
4	PP55	077435
5	PP60	077436
6	PP65	077437



STRAIN RELIEF CONNECTORS

NONMETALLIC THREADED STRAIN RELIEF CONNECTORS

c/w "O" Ring, Locknut & 4 Grommets

Scepter's Nonmetallic Strain Relief Connectors are supplied with all the components you need for a complete connection. The connector body, a selection of grommets and compression rings accepting a range of cord dimensions, a sealing 'O' ring and metallic locknut are all supplied in one package. Available in 1/2" and 3/4" threaded hub and 3/4" PVC socket solvent weld configurations to accommodate a variety of applications.

Size (inches)	Part Number	Product Code
1/2	TSRCU10	077244
3/4	TSRCU15	077261







SOCKET WELD STRAIN RELIEF CONNECTOR

c/w 4 Grommets



Size (inches)	Part Number	Product Code
3/4	SRCU15	077209

GROMMET DIMENSIONS

	FROM (inches)	TO (inches)		FROM (inches)	TO (inches)
	Ø = .240	Ø = .315		Ø = .420	Ø = .515
	Ø = .320	Ø = .415		Ø = .520	Ø = .615

LIGHT FIXTURES & CONDUIT REPAIR KIT

CONDUIT FITTINGS

CONDUIT REPAIR KIT

NONMETALLIC VAPOR-PROOF INCANDESCENT LIGHT FIXTURE

Sceptalight is constructed of noncorroding, nonconductive, high impact glass reinforced polyester resin. It features a one-piece fixture base with threaded hub entry offering a 15 cubic inch volume. Sceptalight's utility fixture is approved for use with 75°C wiring and rated for use with 150 Watt A21 medium base incandescent lamp. Integral molded mounting feet provide for easy installation and ensure a secure support.

Description Fixture c/w	Part Number	Hub	Product Code
Clear Glass Globe	LVPE 150-10/15	1/2" - 3/4"	077493
Heat Resistant Clear Glass Globe	LVPEHRC 150	1/2" - 3/4"	077578
Heat Resistant Red Glass Globe	LVPEHRR 150	1/2" - 3/4"	077599
Heat Resistant Blue Glass Globe	LVPEHRB 150	1/2" - 3/4"	077579
Heat Resistant Green Glass Globe	LVPEHRG 150	1/2" - 3/4"	077597
Heat Resistant Amber Glass Globe	LVPEHRA150	1/2" - 3/4"	077598
Replacement Clear Glass Globe	LGC 150	-	077247
Nonmetallic Clamp-on Guard	LVPU150	-	077558
Clear Glass Globe & Clamp-on Guard	LVPE150-1015	1/2" - 3/4"	077402
Light Fixture with Polycarbonate Globe*	LVPE150-PCC	1/2" - 3/4"	077181



LVPE 15/10



LVPE150-PCC



LVPU150

* Approved for use with 60W MAX Type A lamp.

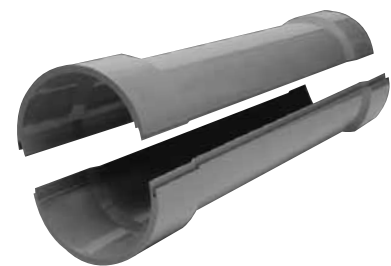
EPR KITS FOR CONDUIT REPAIR

EPR Kits from IPEX are the first total repair systems for broken and damaged PVC conduit. They offer fast and easy repairs for damaged conduit caused by actions such as earth excavation, horizontal and core drilling.

With unique interlocking joints, the EPR Kits' two half shell bell by bell pieces simply close around the installed wire and cable. Using standard PBV solvent cement, EPR Kits are quickly and easily assembled and connected, restoring the conduit to its original form.

EPR Kits are manufactured of high-impact and non-conductive PVC, ensuring a life long quality repair for your system. All sizes are 24 inches in length.

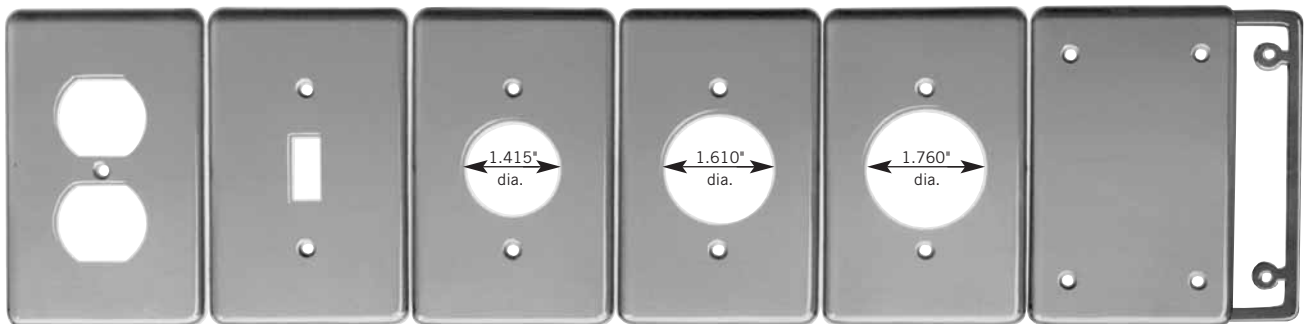
Size (in) (inches)	Part Number	Product Code
1-1/4	EPR25	077976
1-1/2	EPR30	077971
2	EPR35	077972
2-1/2	EPR40	077973
3	EPR45	077974
4	EPR55	077975
5	EPR60	077977
6	EPR65	077979



COVERS & COVER PLATES

F SERIES - SINGLE GANG PLATES

Description	Part Number	Product Code
Duplex Receptacle	DRC15/10	077617
Toggle Switch	TSC15/10	077616
Single Receptacle	20RC15/10	077618
Single Receptacle	20-3RC15/10	077619
Single Receptacle	30-3RC15/10	077620
Blank c/w Gasket	BRC15/10	077611
PVC Gasket	GASK15/10	077621



DRC15/10

TSC15/10

20RC15/10

20-3RC15/10

30-3RC15/10

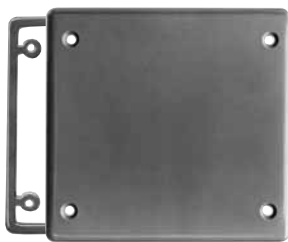
BRC15/10

GASK
15/10

COVERS & COVER PLATES CONT'D

F SERIES - DOUBLE GANG PLATES

Description	Part Number	Product Code
Blank Cover c/w Gasket	BRC20-2	077614
Double Switch	TSC20-2	077738
Double Duplex Receptacle	DRC20-2	077740
Combo Switch Duplex Receptacle	TSDC20-2	077739
PVC Gasket	GASK20-2	077743



GASK20-2



TSC20-2



DRC20-2

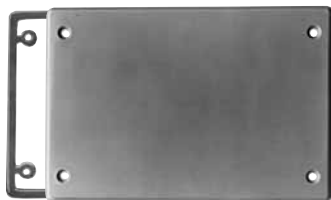


TSDC20-2

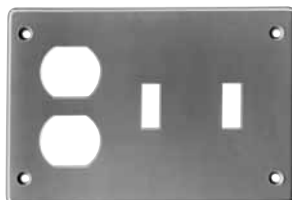
BRC20-2

F SERIES - TRIPLE GANG PLATES

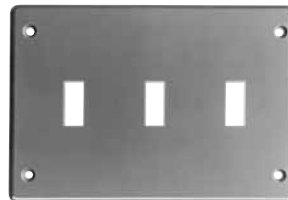
Description	Part Number	Product Code
Triple Receptacle	DRC20-3	077747
Combo Switch Receptacle	DSDR20-3	077745
Triple Switch	TSC20-3	077744
Combo Switch Receptacle	TSDC20-3	077746
Blank Cover c/w Gasket	BRC20-3	077748
PVC Gasket	GASK20-3	077749



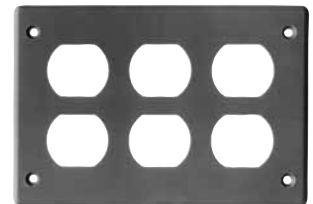
GASK20-3



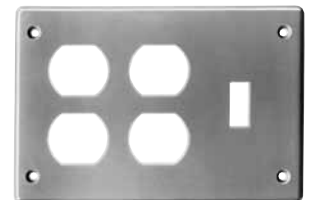
DSDR20-3



TSC20-3



DRC20-3



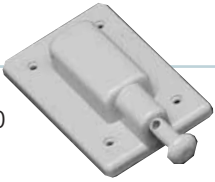
TSDC20-3

BRC20-3

SINGLE GANG WEATHERPROOF COVERS

Weatherproof covers, with lids closed, are UL listed for wet locations.

VPT15/10



VSC15/10



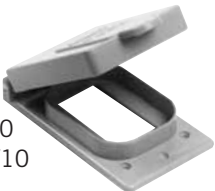
WTG15/10



WDR15/10
RWDR15/10



WGF15/10
RWGF15/10



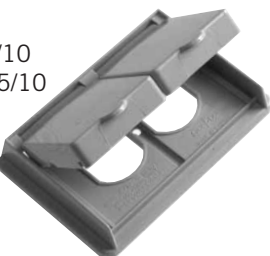
WTL15
WTL20
WTL30



WTL50



WDRE15/10
RWDRE15/10



Description

Device
Opening (in)

Part
Number

Product
Code

Plunger-style Switch Cover

VPT15/10

077630

Toggle Switch Cover

VSC15/10

077612

Grey Toggle Switch Cover

WTG15/10

077606

Grey Duplex Receptacle

WDR15/10

077993

White Duplex Receptacle

RWDR15/10

077786

Grey Ground Fault Receptacle

WGF15/10

077785

White Ground Fault Receptacle

RWGF15/10

077787

Single Receptacle Device 15 AMP

1.375

WTL15

077992

Single Receptacle Device 20 AMP

1.625

WTL20

077994

Single Receptacle Device 30 AMP

1.722

WTL30

077991

Single Receptacle Device 50 AMP

2.187

WTL50

077951

Grey Double Door Duplex Receptacle

WDRE15/10

077087

White Double Door Duplex Receptacle

RWDRE15/10

077408

Gasket for W Series Cover
(except WDRE & RWDRE)

GASKW

077755

Gasket for WDRE & RWDRE Covers

GASKDD

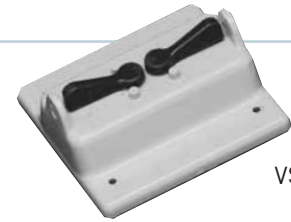
072225

* Gaskets are included with all weatherproof covers.

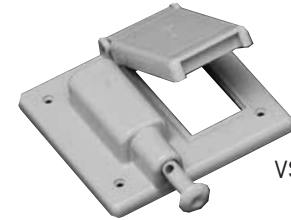
COVERS & COVER PLATES CONT'D

DOUBLE GANG WEATHERPROOF COVERS

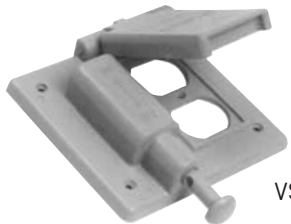
Description	Part Number	Product Code
Toggle Switch Cover	VSC20-2	077741
Combination Switch Cover & GFI Receptacle	VSRC20-2	077742
Combination Switch Cover & Duplex Receptacle	VSDR20-2	077752
Combination Switch Cover & Single Receptacle	VSRR20-2	077753
Double Door GFCI Cover	VSGG20-2	077096
Double Door Duplex Cover	VSDD20-2	077097
Gasket for Double Gang (except VSGG20-2 & VSDD20-2)	GASK20-2	077743
Gasket for VSGG20-2 and VSDD20-2 Double Gangs	GASKV20-2	072227



VSC20-2



VSRC20-2



VSDR20-2



VSRR20-2



VSGG20-2

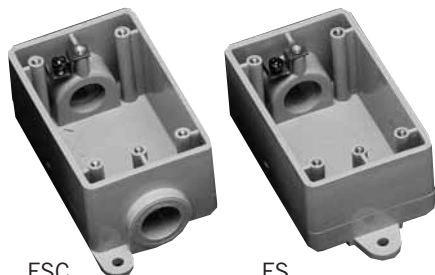


VSDD20-2

* Gaskets are included with all weatherproof covers.

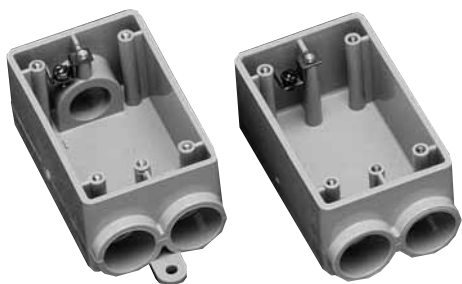
* VSGG20-2 and VSDD20-2 are universal and will fit on most PVC and metal boxes.

F SERIES SINGLE GANG BOXES



FSC

FS



FSCC

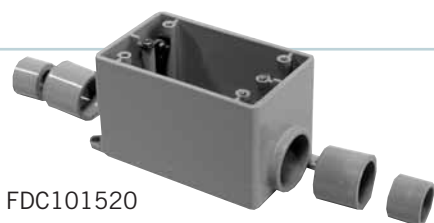
FSS

Outside Dimensions:
Length, 4-9/16" - Width, 2-13/16" - Depth, 2"

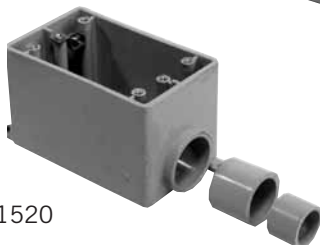
Hub Size (inches)	Part Number	Product Code	Volume (in3)
1/2	FSC10	077607	17.0
3/4	FSC15	077608	17.0
1/2	FS10	077601	17.5
3/4	FS15	077602	17.5
1/2	FSCC10	077622	16.3
3/4	FSCC15	077623	16.3
1/2	FSS10	077604	17.0
3/4	FSS15	077605	17.0

Note: 10 = 1/2" Hub, 15 = 3/4" Hub

F SERIES SINGLE GANG DEEP BOXES



FDC101520



FDS101520



FD Blank

Outside Dimensions:

Height, 4 9/16" – Width, 2 13/16" – Depth 2 3/4", Cubic Inches = 35.30

With the exception of the FD Blank Box, Scepter FD Series Single Gang Deep Boxes are molded with 1" conduit hubs and supplied with reducer bushings. The conduit hub(s) are field modified as 1/2", 3/4" or 1" to accommodate job-site requirements. The appropriate quantity of 1" x 3/4" and 3/4" x 1/2" reducers to create the desired hub size are packaged with each FD Series Single Gang Deep Box.

Hub Size (inches)	Part Number	Product Code	Volume (in3)
1/2, 3/4, 1	FDC101520	077291	26.0
1/2, 3/4, 1	FDS101520	077299	26.8
* BLANK	FD BLANK	077603	29.2
347 VOLT	FD347	077610	29.2

Note: 10 = 1/2" Hub, 15 = 3/4" Hub, 20 = 1" Hub

* Not UL Listed

Note: All F Series boxes are supplied with integral mounting feet, threaded brass inserts and grounding clips.

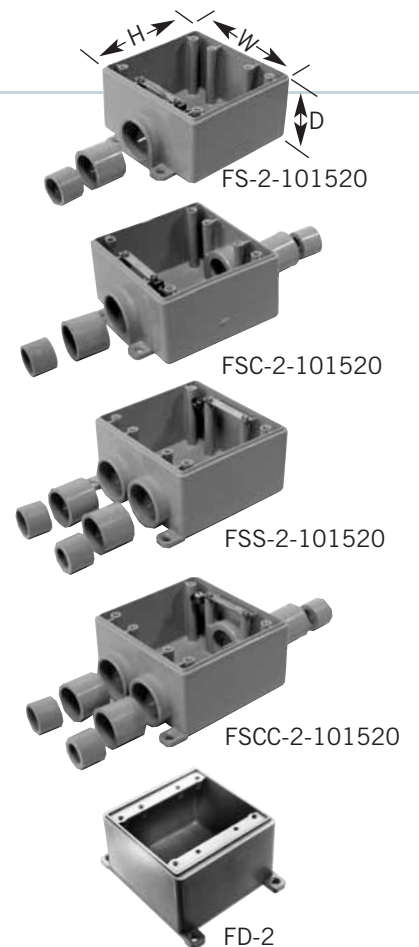
BOXES CONT'D

F SERIES DOUBLE GANG BOXES

FS-2 cu.in = 39.5, FSC-2 & FSS-2 cu.in. = 37.0, FSCC-2 cu.in. = 36.0 With the exception of the FD-2 Blank Box, Scepter F Series Double Gang Boxes are molded with 1" conduit hubs and supplied with reducer bushings. The conduit hub(s) are field modified as 1/2", 3/4" or 1" to accommodate job-site requirements. The appropriate quantity of 1" x 3/4" and 3/4" x 1/2" reducers to create the desired hub size are packaged with each F Series Double Gang Box.

Hub Size (inches)	Part Number	Product Code	OD (inches)			Volume (in ³)
			H	W	E	
1/2, 3/4, 1	FS-2-101520	077440	4.50	4.75	2.5	39.5
1/2, 3/4, 1	FSC-2-101520	077441	4.50	4.75	2.5	37.0
1/2, 3/4, 1	FSS-2-101520	077442	4.50	4.75	2.5	37.0
1/2, 3/4, 1	FSCC-2-101520	077443	4.50	4.75	2.5	36.2
* Blank	FD-2	077734	4.75	4.75	3.0	52.0

* Not UL Listed

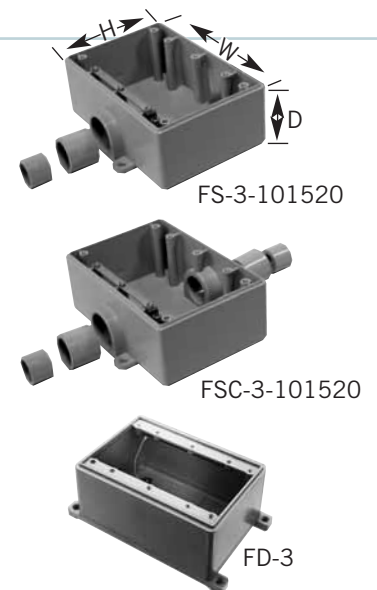


F SERIES TRIPLE GANG BOXES

With the exception of the FD-3 Blank Box, Scepter F Series Triple Gang Boxes are molded with 1" conduit hubs and supplied with reducer bushings. The conduit hub(s) are field modified as 1/2", 3/4" or 1" to accommodate job-site requirements. The appropriate quantity of 1" x 3/4" and 3/4" x 1/2" reducers to create the desired hub size are packaged with each F Series Triple Gang Box.

Hub Size (inches)	Part Number	Product Code	OD (inches)			Volume (in ³)
			H	W	D	
1/2, 3/4, 1	FS-3-101520	077337	4.5	6.6	2.5	56.0
1/2, 3/4, 1	FSC-3-101520	077438	4.5	6.6	2.5	54.0
* Blank	FD-3	077737	4.5	6.6	3.0	73.8

* Not UL Listed



Note: All F Series boxes are supplied with integral mounting feet, threaded brass inserts and grounding clips or bars.

OCTAGONAL BOXES*



Octagonal Boxes are shipped complete with cover, gasket, 4 reducing bushings (3/4" x 1/2"), and 4 sealing caps to be installed from inside box to seal off unused entry hubs.

Size (inches)	Part Number	Hub Size (inches)	L (inches)	H (inches)	Volume (in ³)	Product Code
4 x 1-1/2	OB15/10	1/2 - 3/4	4	1.680	15.5	077983*
4 x 2-1/8	OB20	1	4	2.250	21.5	077984*

OCTAGONAL BOX EXTENSION RINGS



Size (inches)	Part Number	Product Code
4 x 1 deep	XR20	077989
4 x 2 deep	XR35	077990

Note: Octagonal Boxes are not designed for supporting light fixtures.

THREADED JUNCTION BOXES



LFB150C

LFB150T

Scepter's Threaded Junction Boxes are corrosion resistant, non-conductive and incorporate high-temperature silicone gaskets and brass hardware to withstand extreme temperature variations. Manufactured from glass-reinforced thermoplastic polyester resin, these boxes can endure extreme temperatures (material temperature range -40°F to +302°F).

Size (inches)	Part Number	Product Code
4 - 3/4" threaded hubs	LFB150C	077250
4 - 3/4" threaded hubs c/w 1/2" threaded hole in cover	LFB150T	077251

BOXES CONT'D

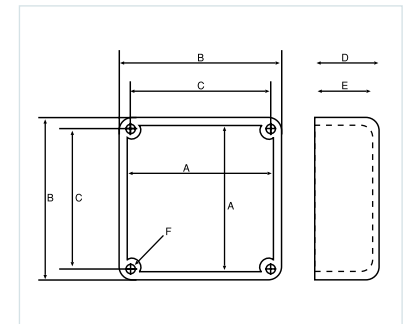
PVC MOLDED JUNCTION BOXES

Junction boxes are supplied with threaded brass insert, brass screws, PVC gasketing and mounting feet. Nylon and stainless steel screws, as well as larger sizes of fabricated junctions box, are available upon request.

(F = Threaded brass insert size.)



Part Number	Product Code	A (inches)	B (inches)	C (inches)	D (inches)	E (inches)	F (inches)	Volume (in. ³)
JB442	077659	3.675	4.000	3.450	2.125	2.000	8-32	26.5
JB444	077696	3.675	4.000	3.450	4.188	3.750	8-32	51.5
JB446	077669	3.675	4.000	3.450	6.225	6.000	8-32	78.0
JB552	077670	4.680	5.000	4.485	2.000	1.845	8-32	40.0
JB664	077697	6.000	6.375	5.813	4.188	4.000	10-32	138.0
JB666	077698	6.000	6.375	5.813	6.188	6.000	10-32	211.0
JB884	077664	8.075	8.625	7.966	4.230	4.005	1/4-20	434.0
JB887	077671	8.100	8.625	7.966	7.250	7.035	1/4-20	248.0
JB12124	077672	12.085	12.580	11.874	4.256	4.030	1/4-20	577.4
JB12126	077666	12.085	12.580	11.874	6.240	6.025	1/4-20	846.0
JB12128	077668	12.085	12.580	11.874	8.250	8.025	1/4-20	1102.0



Junction boxes are:

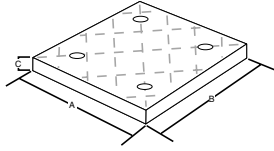
NEMA 1, 2, 3, 4, 4x, 6P, 12, 13 UL listed for wet locations.

FABRICATED BOXES

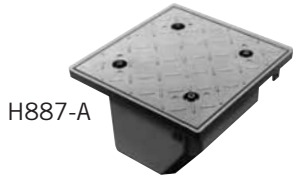
Unflanged PVC fabricated boxes of any size may be made to customers' specifications and come complete with lids, gaskets and screws.

These boxes are not UL Listed and are not returnable.

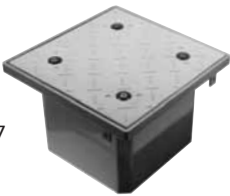
FLANGED BOX W FIBER-REINFORCED SAFETY TREAD COVER



Scepter's Flanged 'H' Series Junction Boxes provide H10 Highway Loading equivalent to handling a 500-psi load. The fiber-reinforced safety tread cover secures using recessed Hex Key fastening hardware offering a simple installation while reducing the opportunity for tampering.



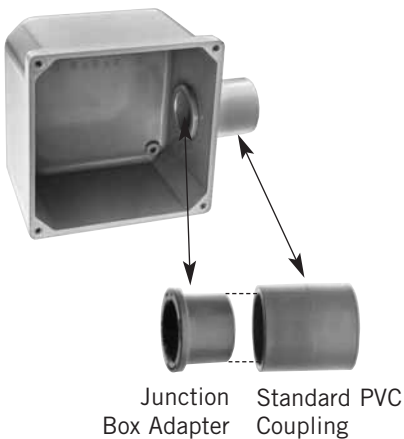
H887-A



H887

Part Number	Product Code	Box ID (inches)			Lid Dimensions (inches)			Volume (in ³)
		L	W	D	A	B	C	
H664	077685	6	6	4 1/4	9.0	9.0	0.60	138.0
H666	077686	6	6	6 1/4	9.0	9.0	0.60	211.0
H884	077687	8	8	4 1/4	11.5	11.5	0.75	248.0
H886	077688	8	8	6 1/4	11.5	11.5	0.75	434.0
H887	077689	8	8	7 1/4	11.5	11.5	0.75	434.0
H887-A	077692	8	8	7 1/4	11.5	11.5	0.75	434.0

JUNCTION BOX ADAPTERS



Size (inches)	Part Number	Product Code
1/2	JBA10	077721
3/4	JBA15	077722
1	JBA20	077723
1-1/4	JBA25	077724
1-1/2	JBA30	077725
2	JBA35	077726
2-1/2	JBA40	077727
3	JBA45	077728
3-1/2	JBA50	077729
4	JBA55	077730

BOXES CONT'D

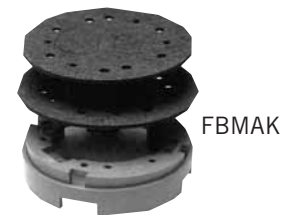
NONMETALLIC FLOOR BOX, COVER & METAL COVER ADAPTER

Installation is quick and simple, with our nonmetallic floor box and covers, saving both time and money over similar metallic assemblies.

Scepter's floor box and duplex receptacle covers are constructed from high impact, noncorroding and nonconducting PVC. The flush-mount covers are available in custom colors and are shipped with a levelling ring complete with a grounding clip. Metal cover adapter kits are also available, allowing you to adapt to metal floor plates. Our 6" deep floor box allows flexibility for various concrete floor pours, while our 4-3/4" width offers easy access and ample wire room. The box comes complete with 2 - 1" and 2 - 3/4" hub openings.

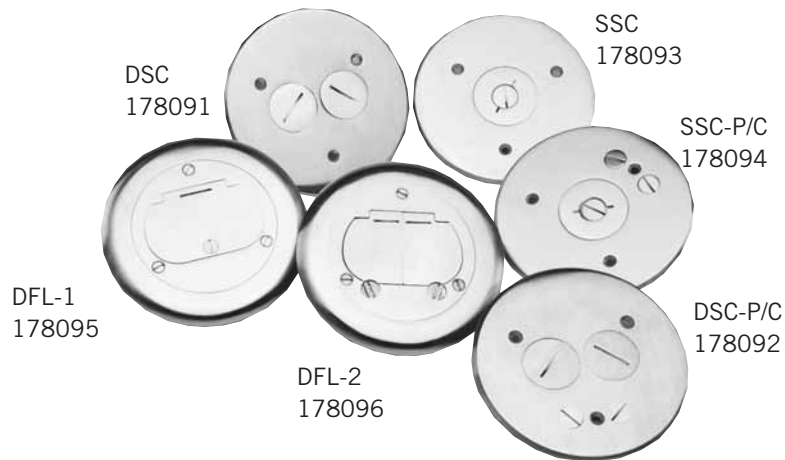
All boxes are shipped complete with reducer plugs for added versatility.

Color Description	Part Number	Product Code
Floor Box Base (includes disposable protective cap and reducer plugs)	FB	076954
Floor Box Base c/w Levelling Ring Adapter (includes disposable protective cap, reducer plugs and leveling ring adapter)	FBKIT	077068
Metal Cover Adapter Kit (includes levelling ring, metal cover adapter and 2 gaskets)	FBMAK	076953
Universal Levelling Ring Adapter	LRA-U	076606
Floor Box Duplex Receptacle Cover (Nonmetallic) (includes flush mount cover, blank cover & gasket)		
Brown	FBDRCB	076955
Gold	FBDRCG	076949
Grey	FBDRCGr	076600
Light Almond	FBDRCA	076605
Tri-Service Universal Divider Kit (includes upper and lower dividers, riser tube and 4 grommets)	FBUDK	077948
Y Connector (3/4")	FBYC	077499



BRASS COVER PLATES FOR NONMETALLIC FLOOR BOX

- Brass cover plates offer a one-piece design measuring 5-3/4" diameter.
- Available in a variety of styles accommodating power (single or duplex receptacle) and communication needs.
- Install to the FB box using the Universal Leveling Ring Adapter.



CEMENTS & PRIMERS

CONDUIT CEMENT

c/w Applicator Cap

Scepter 100 - Conduit Cement

Size	Part Number	Product Code
250ml (1/2 Pint)	S100PT5	078883
500ml (Pint)	S100PT	078884
1L (Quart)	S100QT	078885
4L (Gallon)	S100GAL	078887



Scepter 100 - Cold Weather / Wet Weather Cement

Size	Part Number	Product Code
500ml (Pint)	CWC10	078503
1L (Quart)	CWC20	078886

PRIMER

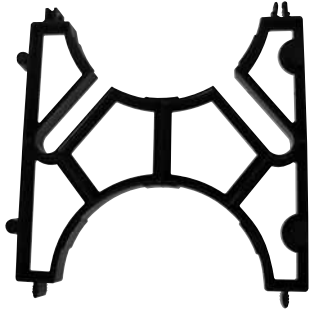
c/w Applicator Cap

Size	Part Number	Product Code
250ml (1/2 Pint)	C100PT5	078163
500ml (Pint)	C100PT	078174
1L (Quart)	C100QT	078175



CONDUIT INTERLOCKING SPACERS

INTERMEDIATE VERTICAL-LOK SPACERS



Size (inches)	Part Number	Product Code
2 x 1 1/2	IS3530	029550
2 x 2	IS3535	029551
2 x 3	IS3545	029552
3 x 1 1/2	IS4530	029553
3 x 2	IS4535	029554
3 x 3	IS4545	029555
4 x 1	IS5520	029556
4 x 1 1/2	IS5530	029557
4 x 2	IS5535	029558
4 x 3	IS5545	029559
5 x 1 1/2	IS6030	029560
5 x 2	IS6035	029561
5 x 3	IS6045	029562
6 x 1 1/2	IS6530	029563
6 x 2	IS6535	029564
6 x 3	IS6545	029565

BASE VERTICAL-LOK SPACERS



Size (inches)	Part Number	Product Code
2 x 1 1/2	BS3530	029566
2 x 2	BS3535	029567
2 x 3	BS3545	029568
3 x 1 1/2	BS4530	029569
3 x 2	BS4535	029570
3 x 3	BS4545	029571
4 x 1	BS5520	029572
4 x 1 1/2	BS5530	029573
4 x 2	BS5535	029574
4 x 3	BS5545	029575
5 x 1 1/2	BS6030	029576
5 x 2	BS6035	029577
5 x 3	BS6045	029578
6 x 1 1/2	BS6530	029579
6 x 2	BS6535	029580
6 x 3	BS6545	029581

CUSTOMER SERVICE CENTER

2441 Royal Windsor Drive
 Mississauga, Ontario L5J 4C7
 Tel: (905) 403-0264
 Toll Free: (800) 463-9572
 Fax: (905) 403-9195

www.ipexinc.com

About IPEX

IPEX is a leading supplier of thermoplastic piping systems. We provide our customers with one of the world's largest and most comprehensive product lines. All IPEX products are backed by over 50 years of experience. With state-of-the-art manufacturing facilities and distribution centers across North America, the IPEX name is synonymous with quality and performance.

Our products and systems have been designed for a broad range of customers and markets. Contact us for information on:

- Electrical systems
- Telecommunications systems
- PVC, CPVC, PP, ABS, PEX, FR-PVDF and PE pipe and fittings (1/4" to 48")
- Municipal pressure and gravity piping systems
- PE Electrofusion systems for gas and water
- Plumbing and mechanical piping systems
- Industrial process piping systems
- Industrial, plumbing and electrical cements
- Irrigation systems
- Radiant heating systems

WARRANTY: All of the company's Products are guaranteed against defects resulting from faulty workmanship or materials. The Company will replace, free of charge, including shipping charges for the replacement Products, any Products which are found to be defective in workmanship or material, provided that the following conditions are met:

- the Company is promptly notified in writing of such defect immediately upon discovery of same, and the defective Product is promptly returned to the Company;
- the defect is not due, without limitation, to faulty installation, misalignment of Products, vibration, ordinary wear and tear, corrosion, erosion, U.V. degradation, incompatible lubricants, pastes and thread sealants, unusual pressure surges or pulsation, water hammer, temperature shocking, or fouling; and
- the Products have not been altered or modified after leaving the Company's premises.

The warranty period can be specifically limited for certain Products as stated in writing in the Company's literature. The Company will not allow claims for labor, materials and/or other expenses required to replace the defective Product, or to repair any damage resulting from the use thereof. The Company disclaims any responsibility for the Purchaser's calculations, product drawings or engineering design specifications. The Company's liability is limited to the purchase price applicable to the product.

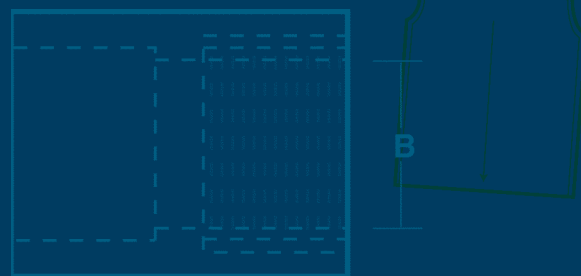
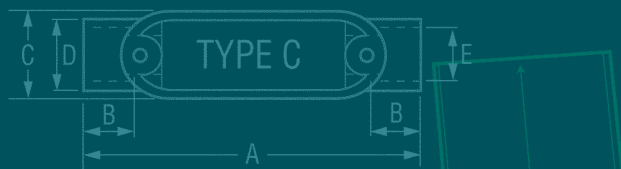
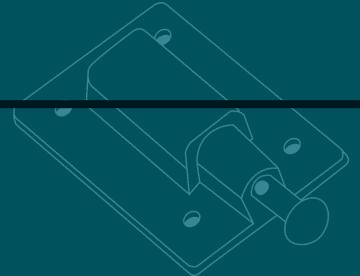
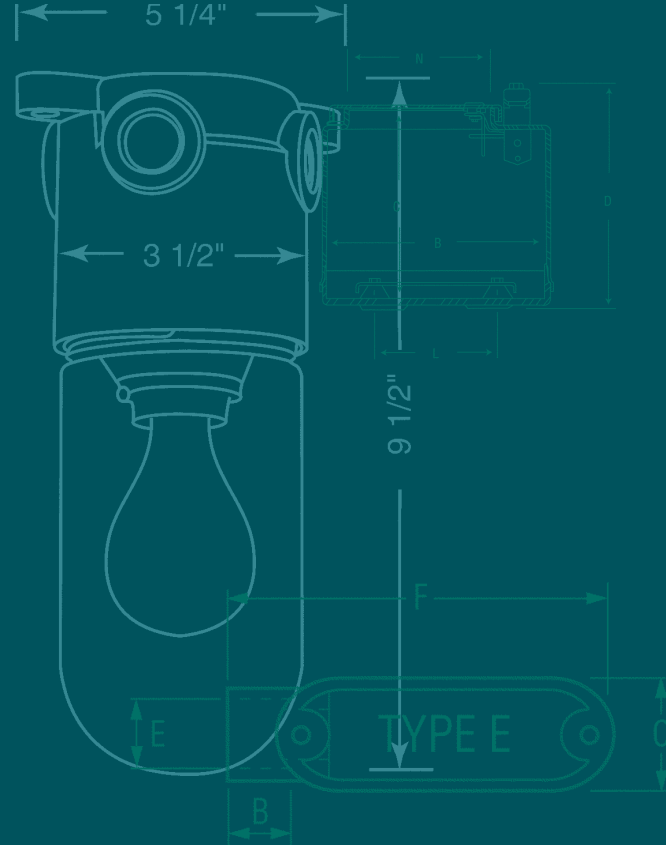
It is agreed and understood that the Company's liability in respect to the sale is strictly limited to the replacement of Products as hereinbefore specified and that the Company shall not, in any event, be liable for any damages whether for the loss of use or business interruption or any other claim for incidental, consequential, special or punitive damages. There is no warranty, condition or representation of any nature whatsoever, expressed or implied, by statute or otherwise, except as herein contained, and the Company disclaims any implied warranties of merchantability and/or fitness of its Products for a special purpose.

This literature is published in good faith and is believed to be reliable. However IPEX does not represent and/or warrant in any manner the information and suggestions contained in this brochure. Data presented is the result of laboratory tests and field experience.

IPEX maintains a policy of ongoing product improvement. This may result in modifications of features and/or specifications without notice.



CTELSCIP060608 © 2006 IPEX EL0021U



DISTRIBUTED BY