

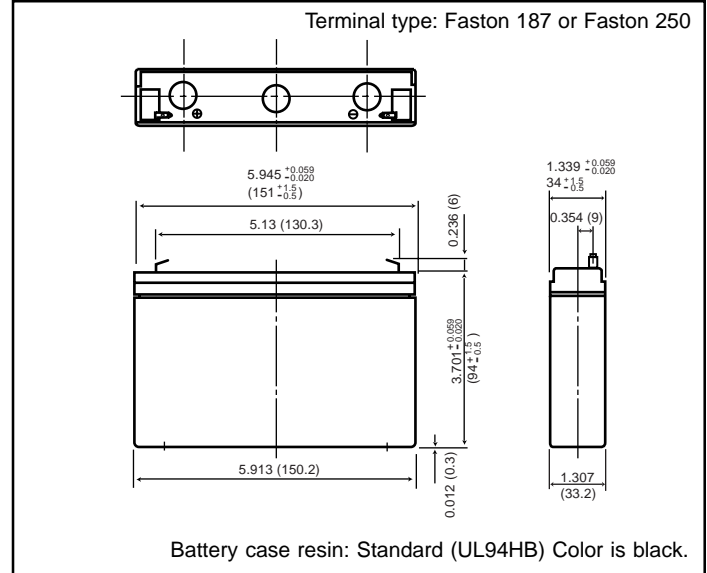
# VALVE-REGULATED LEAD ACID BATTERIES: INDIVIDUAL DATA SHEET

## LC-R067R2P



For main and standby power supplies.  
Expected trickle life: 3-5 years at 25°C, Approx. 5 years at 20°C.

### Dimensions (mm)

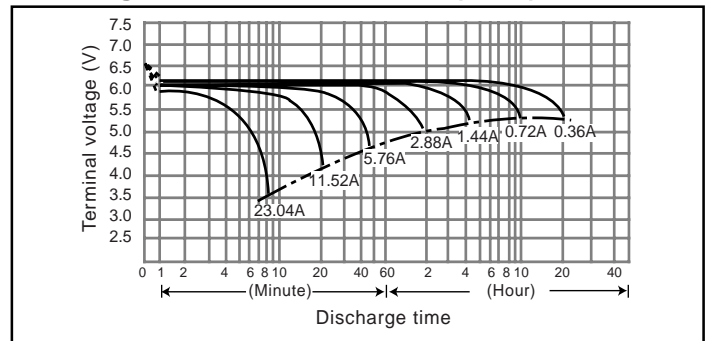


### Specifications

<b>Nominal Voltage</b>		6V
<b>Rated Capacity (20 hour rate)</b>		7.2Ah
<b>Dimensions</b>	<b>Length</b>	5.945 inches (151.0 mm)
	<b>Width</b>	1.339 inches (34.0 mm)
	<b>Height</b>	3.702 inches (94.0 mm)
	<b>Total Height*</b>	3.937 inches (100.0 mm)
<b>Approx. mass</b>		2.78 lbs. (1.26 kg)
<b>Standard Terminals and Resin</b>	UL94HB Faston 187	LC-R067R2P
	UL94HB Faston 250	LC-R067R2P1
<b>Optional Terminals and Resin</b>	UL94HB Faston 187/250	◆ LC-R067R2P2

◆ Please contact Panasonic for availability on optional items. Optional items may be subject to minimum order quantities.

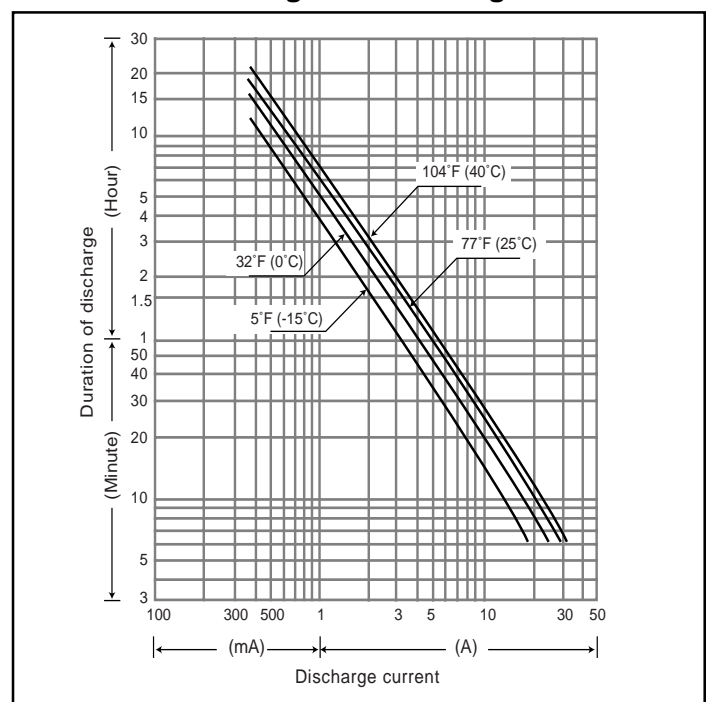
### Discharge characteristics 77°F (25°C) (Note)



### Characteristics

Capacity (note) 77°F (25°C)	20 hour rate (360mA)	7.2Ah	
	10 hour rate (680mA)	6.8Ah	
Internal Resistance	5 hour rate (1260mA)	6.3Ah	
	1 hour rate (4900mA)	4.9Ah	
	1.5 hour rate discharge Cut-off voltage 5.25 V	3.5A	
Temperature dependency of capacity (20 hour rate)	Fully charged battery 77°F (25°C)	Approx. 20mΩ	
	104°F (40°C)	102%	
	77°F (25°C)	100%	
	32°F (0°C)	85%	
Self discharge 77°F (25°C)	5°F (-15°C)	65%	
	Residual capacity after standing 3 months	91%	
	Residual capacity after standing 6 months	82%	
Charge Method (Constant Voltage)	Cycle use (Repeating use)	Residual capacity after standing 12 months	64%
		Initial current	2.88 A or smaller
	Trickle use	Control voltage	7.25V to 7.45V (per 6V cell 25°C)
		Initial current	1.08 A or smaller
		Control voltage	6.8V to 6.9V (per 6V cell 25°C)

### Duration of discharge vs. Discharge current (Note)



(Note) The above characteristics data are average values obtained within three charge/discharge. Cycles not the minimum values.