

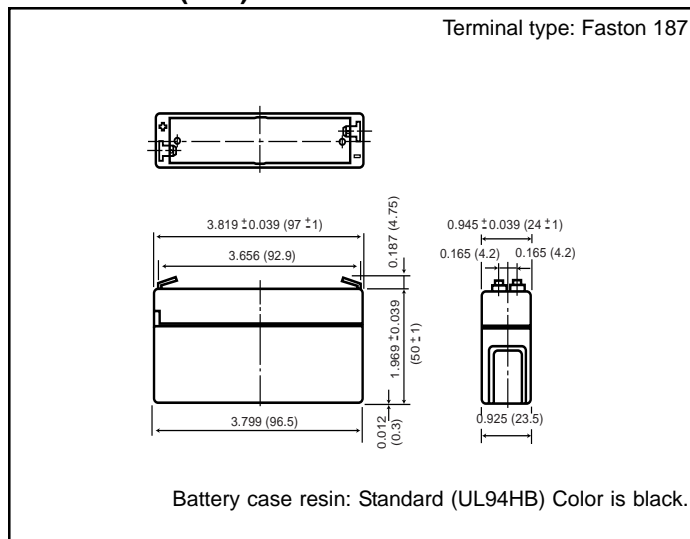
VALVE-REGULATED LEAD ACID BATTERIES: INDIVIDUAL DATA SHEET

LC-R061R3P



For main and standby power supplies.
Expected trickle life: 3-5 years at 25°C, Approx. 5 years at 20°C.

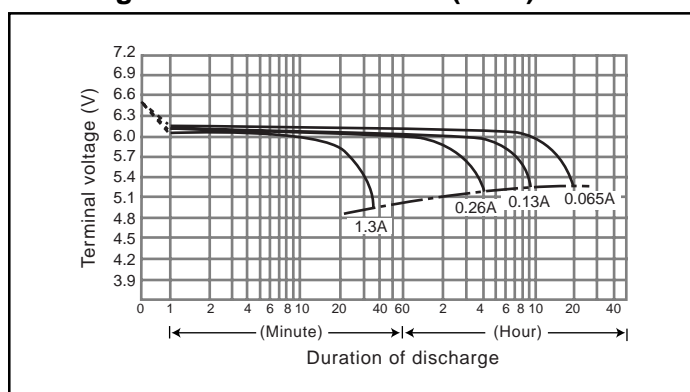
Dimensions (mm)



Specifications

Nominal Voltage		6V
Rated Capacity (20 hour rate)		1.3Ah
Dimensions	Length	3.819 inches (97.0 mm)
	Width	0.945 inches (24.0 mm)
	Height	1.969 inches (50.0 mm)
	Total Height	2.165 inches (55.0 mm)
Approx. mass		.661 lbs. (0.30 kg)
Standard Terminals and Resin	UL94HB Faston 187	LC-R061R3P

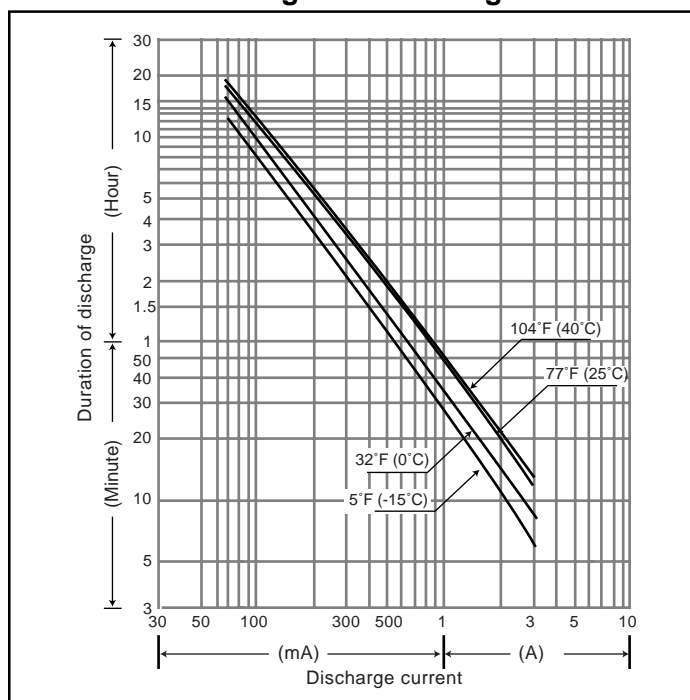
Discharge characteristics 77°F (25°C) (Note)



Characteristics

Capacity (note) 77°F (25°C)	20 hour rate (65mA)	1.3Ah	
	10 hour rate (120mA)	1.2Ah	
	5 hour rate (210mA)	1.05Ah	
	1 hour rate (850mA)	0.85Ah	
	1.5 hour rate discharge Cut-off voltage 5.25 V	0.6A	
Internal Resistance	Fully charged battery 77°F (25°C)	Approx. 50mΩ	
Temperature dependency of capacity (20 hour rate)	104°F (40°C)	102%	
	77°F (25°C)	100%	
	32°F (0°C)	85%	
	5°F (-15°C)	65%	
Self discharge 77°F (25°C)	Residual capacity after standing 3 months	91%	
	Residual capacity after standing 6 months	82%	
	Residual capacity after standing 12 months	64%	
Charge Method (Constant Voltage)	Cycle use (Repeating use)	initial current	0.52 A or smaller
		Control voltage	7.25V to 7.45V (per 6V cell 25°C)
	Trickle use	initial current	0.195 A or smaller
		Control voltage	6.8V to 6.9V (per 6V cell 25°C)

Duration of discharge vs. Discharge current (Note)



(Note) The above characteristics data are average values obtained within three charge/discharge. Cycles not the minimum values.