

# GS-065 Thrust Bearing

The GS-065 is designed to a highly reliable single-component thrust (mast/stay) bearing also enhance the safety of an antenna system.

Accepts masts up to 65-mm diameter

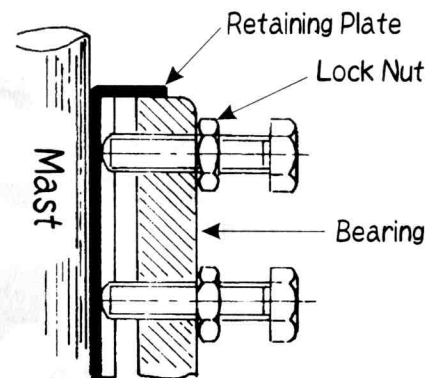
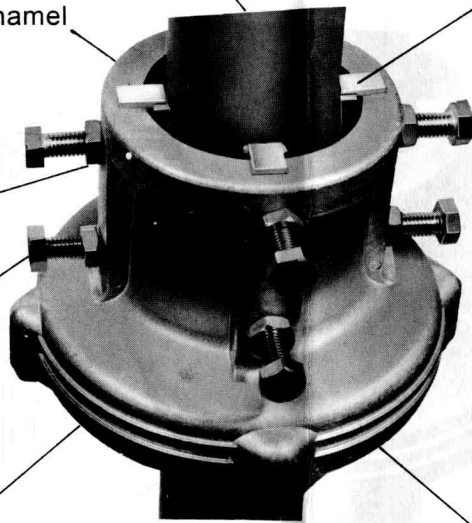
The housing consists of highly corrosion-resistant diecast aluminum with a baked enamel finish.

Lock nuts ensure reliable mast attachment.

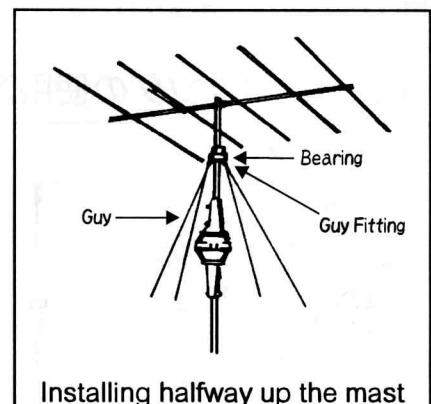
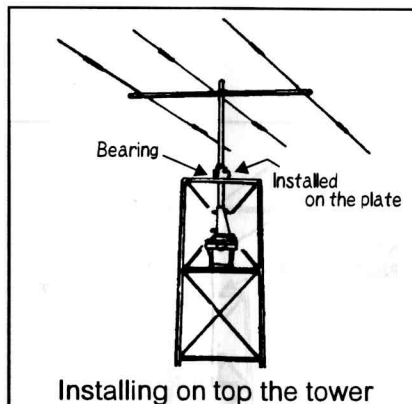
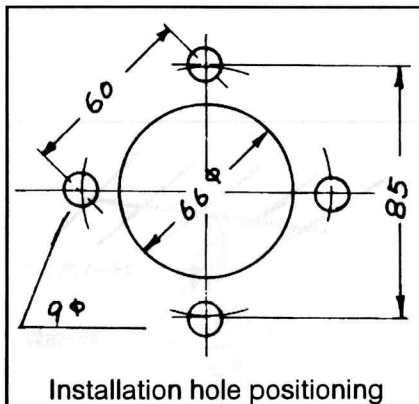
Hardened mounting bolts.

Reliable two-level bearing mechanism and metallic molybdenum grease (black) provides a practically unlimited useful life.

A new retaining plate mechanism changes the nature of the contact with the mast from point to surface contact. The result is a significant reduction in the potential for the mast to break or become corroded.



Grooves for installing guy attachment fittings allow easy tightening.



## YAESU MUSEN CO., LTD.

1-20-2 Shimomaruko, Ota-Ku, Tokyo 146, Japan

## YAESU U.S.A.

17210 Edwards Rd., Cerritos, CA 90703, U.S.A.  
YAESU INTERNATIONAL DIVISION, (Caribbean, Mexico, Central & So. America)  
7270 NW 12th St., Suite 320, Miami, FL 33126, U.S.A.

## YAESU EUROPE B.V.

Snipweg 3, 1118DN Schiphol, The Netherlands

## YAESU UK LTD.

Unit 2, Maple Grove Business Centre,  
Lawrence Rd., Hounslow, Middlesex, TW4 6DR, U.K.

## YAESU GERMANY GmbH

Am Kronberger Hang 2, D-65824 Schwalbach, Germany

## YAESU HK LTD.

11th Floor Tsim Sha Tsui Centre, 66 Mody Rd.,  
Tsim Sha Tsui East, Kowloon, Hong Kong

**Maximum mast diameter:** 65 mm

**Weight:** Approx. 1.5 kg

**Material:** Corrosion-resistant diecast aluminum

### Accessories:

Guy attachment	4 pieces
Retaining plate	4 pieces
Hexagonal bolts M8 x 16	4 pieces
Spring washer 8 mm	4 pieces

**YAESU**  
Performance without compromise.<sup>SM</sup>