

# GS-065 Thrust Bearing

The GS-065 is designed to a highly reliable single-component thrust (mast/stay) bearing also enhance the safety of an antenna system.

Accepts masts up to 65-mm diameter

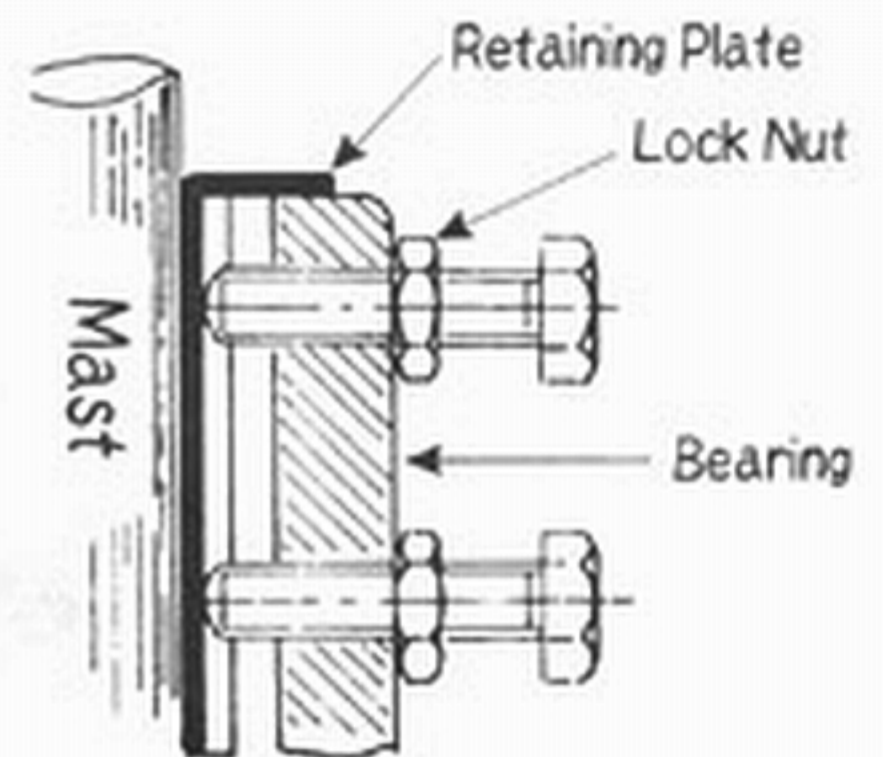
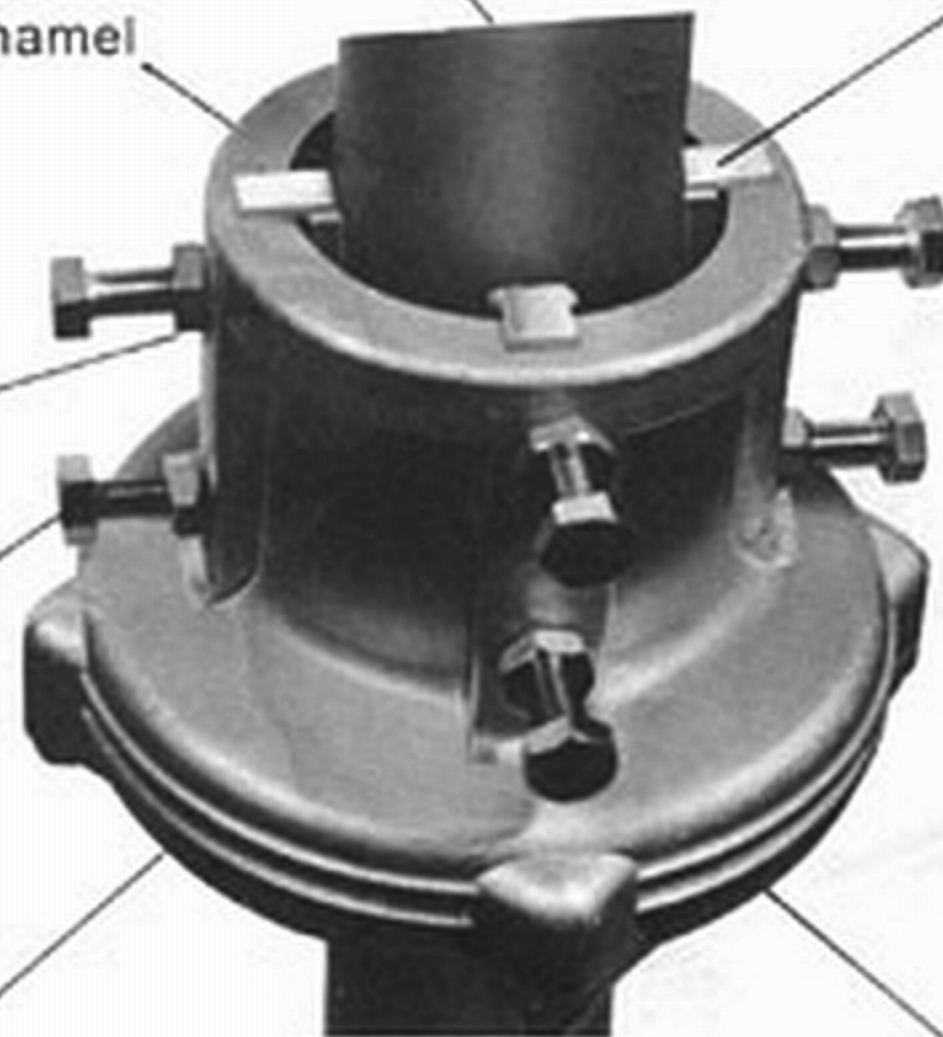
The housing consists of highly corrosion-resistant diecast aluminum with a baked enamel finish.

Lock nuts ensure reliable mast attachment.

Hardened mounting bolts.

Reliable two-level bearing mechanism and metallic molybdenum grease (black) provides a practically unlimited useful life.

A new retaining plate mechanism changes the nature of the contact with the mast from point to surface contact. The result is a significant reduction in the potential for the mast to break or become corroded.



Grooves for installing guy attachment fittings allow easy tightening.

UR

