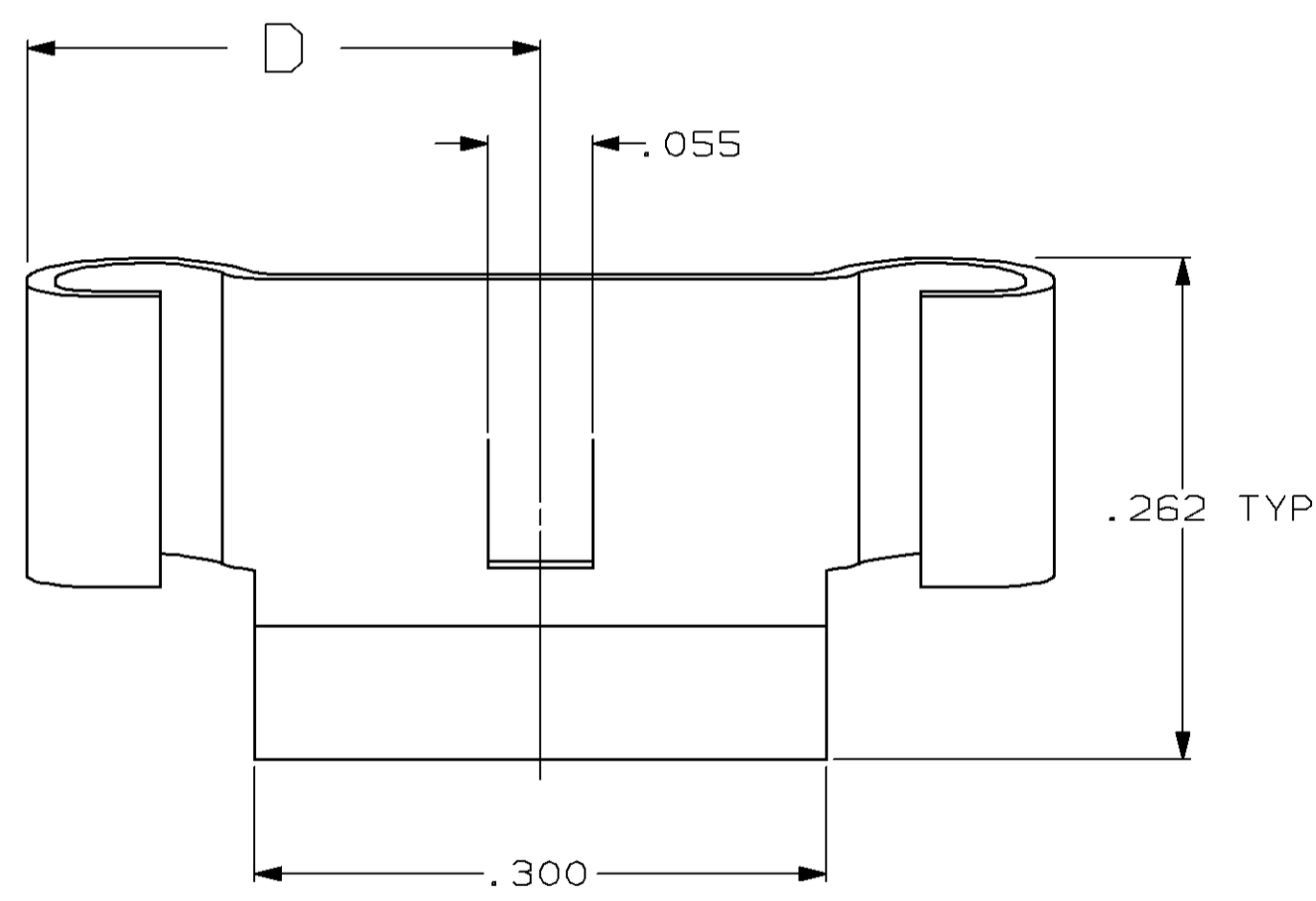
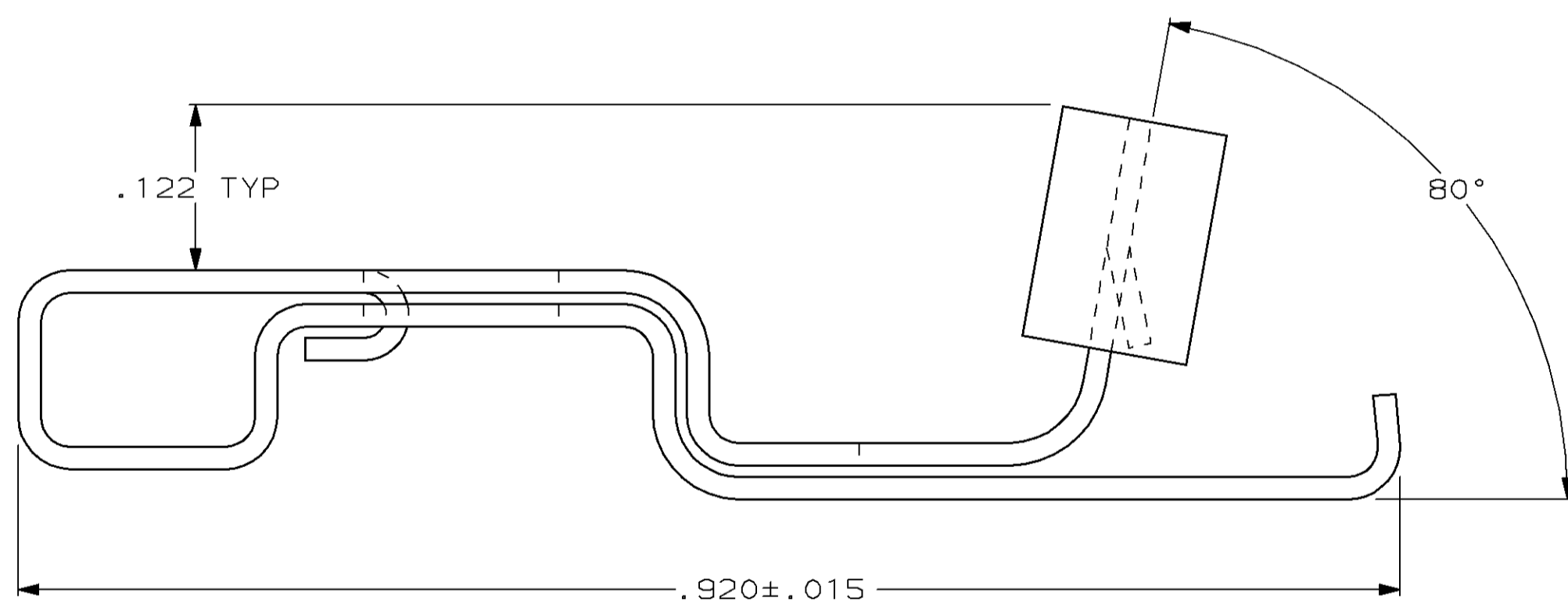
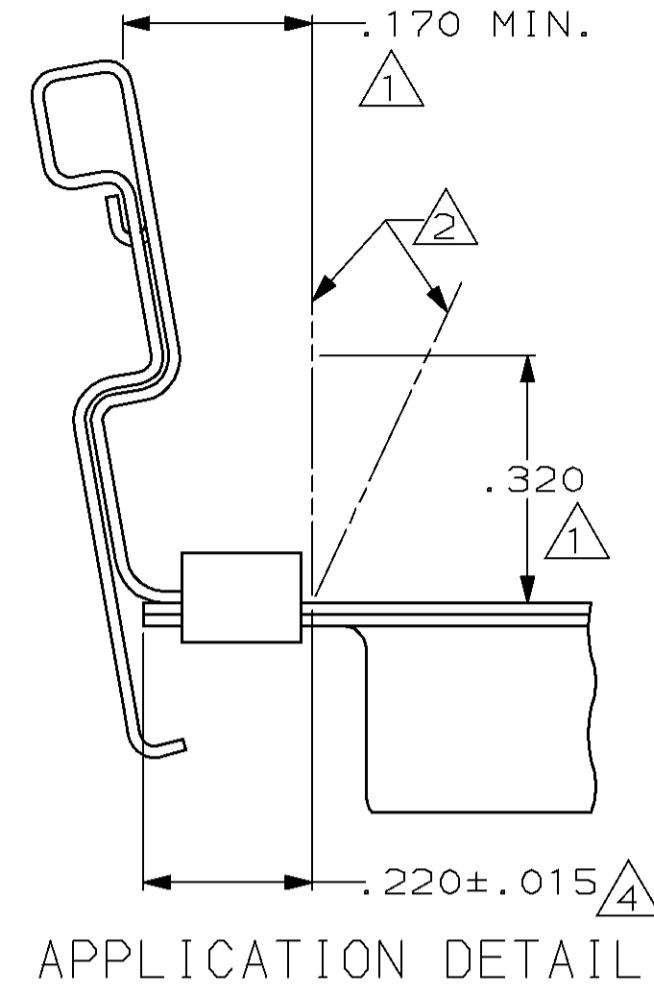
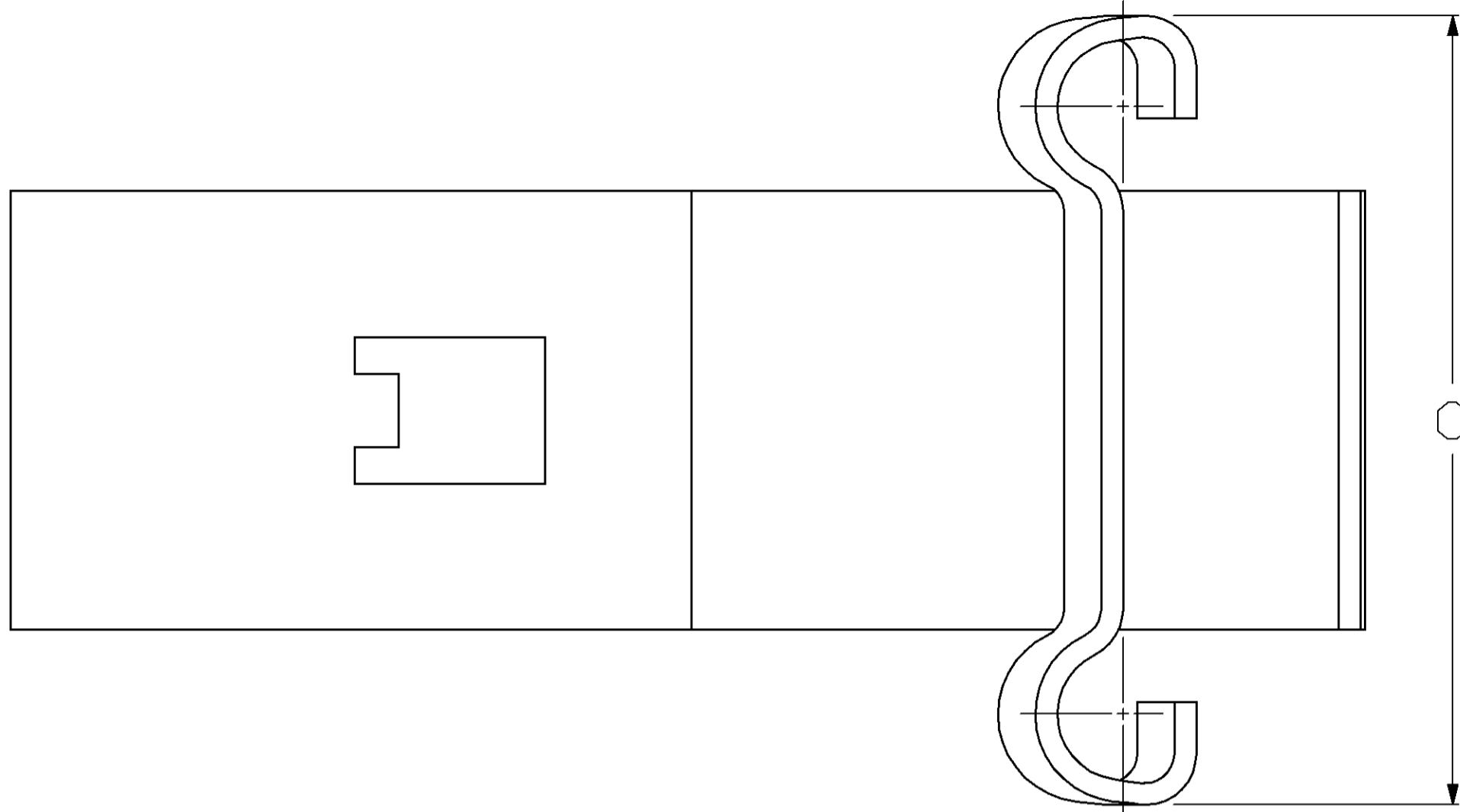


THIS DRAWING IS UNPUBLISHED. RELEASED FOR PUBLICATION  
 BY AMP INCORPORATED. ALL RIGHTS RESERVED.

REVOLUTION		REVISIONS					
LOC	DIST	P	LTR	DESCRIPTION	DATE	DWN	APVD
BD	48						
		D		REV PER ECN BD6838	10/27/92	-	CA
		E		REV PER EC 0020-625-95	06/20/95	DH	CS
		F		OBS -6 PER EC 0420-145-96	16 SEP 97	MB	SB



- ⚠ FOR SATISFACTORY OPERATION THESE DIMENSIONS MUST BE MAINTAINED, .170 DIMENSION SHOULD BE MEASURED AT HEIGHT OF .320 MIN.
- ⚠ SPRING LATCH ACCOUNTS FOR DESIGN VARIATIONS IN THE ENVELOPE OF POST MOLDED STRAIN RELIEFS.
- ⚠ WHEN ORDERING SPRING LATCHES SPECIFY NUMBER OF CONNECTORS, QUANTITY SHIPPED WILL BE BASED ON 2 SPRING LATCHES REQUIRED PER CONNECTOR.
- ⚠ MEASURED FROM END OF CONNECTOR FLANGE TO END OF TAB ON SPRING LATCH.

OBSOLETE	D	C	KIT PACKAGING	PART NO
	.325	.650	BULK 3	745779-6
	.325	.650	2 PIECE UNIT	745779-5
	.270	.540	BULK 3	745779-3
	.270	.540	2 PIECE UNIT	745779-2

THIS DRAWING IS A CONTROLLED DOCUMENT FOR AMP INCORPORATED. IT IS SUBJECT TO CHANGE AND THE CONTROLLING ENGINEERING ORGANIZATION SHOULD BE CONTACTED FOR THE LATEST REVISION.

DWN	J. GERACE	02-24-83	AMP Incorporated Harrisburg, PA 17105-3608
CHK	J. GERACE	02-24-83	
APVD	R. LEGGETT	02-24-83	
NAME	R. LEGGETT		
DIMENSIONS: INCHES			PRODUCT SPEC
TOLERANCES UNLESS OTHERWISE SPECIFIED:			APPLICATION SPEC
0 PLC ±-			WEIGHT
1 PLC ±-			SCALE
2 PLC ±-			SHEET
3 PLC ±.010			REV
4 PLC ±-			
ANGLES ±3°			
FINISH -			
MATERIAL: STAINLESS STEEL			

CUSTOMER DRAWING