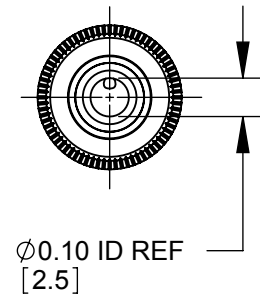
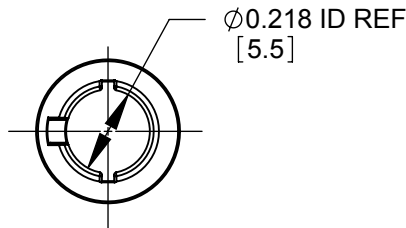
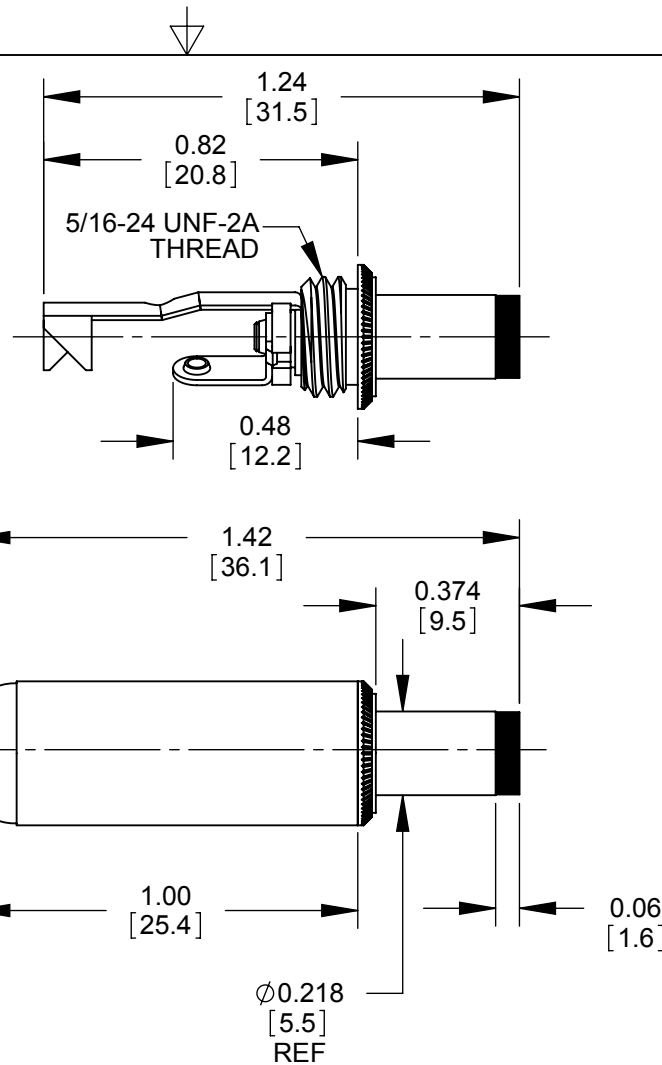
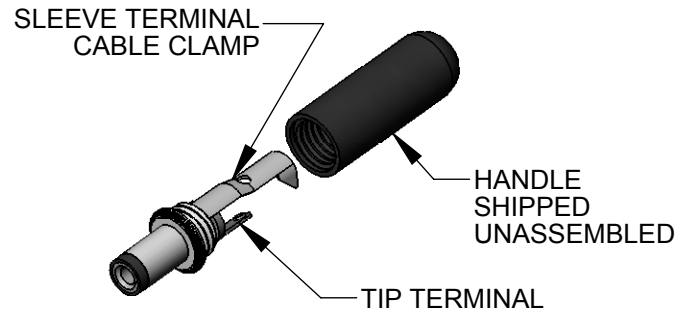


PART NUMBER	HANDLE COLOR
760	BLACK
765	RED



NOTES:

1. MATERIALS:
 CONDUCTORS - COPPER ALLOY, NICKEL PLATED
 TERMINALS - COPPER ALLOY, TIN PLATED
 INSULATORS, HANDLE - THERMOPLASTIC
2. THIS PRODUCT IS RoHS COMPLIANT.

CUSTOMER DRAWING

					THIS DRAWING DESCRIBES A DESIGN CONSIDERED PROPRIETARY IN NATURE, DEVELOPED AND MANUFACTURED BY SWITCHCRAFT INC. AND IS RELEASED ON A CONFIDENTIAL BASIS FOR IDENTIFICATION PURPOSES ONLY.						
					SIZE	WIDTH	MULT	LBS/M	TEMPER		
					FINISH			MATERIAL			
					SPEC No.			SPEC No.			
					FIRST USED ON		SCALE 2:1				
D	CAD REDRAW 26679	01-07-11	JEB	TJK	DATE DRAWN 5-27-87	BY LSP	CHKD EB 5-27-87	APVD RV 5-27-87			
REV	ECO NUMBER	DATE	BY	APVD	NAME Ø0.10 [2.5]mm x 0.374 LONG POWER PLUG, RoHS					SHEET 1 OF 1	
REVISIONS					DO NOT SCALE DRAWING					PART No. 760-765	REV D